



Central Texas Metal Roofing Supply Co., Inc.

**R PANEL
OVER WOOD DECK
STANDARD DETAILS**

Austin - Headquarters/Sales Office
830 Sagebrush Drive Austin, TX 78758
(512) 452-1515 (800) 428-7412
Fax (512) 833-7499

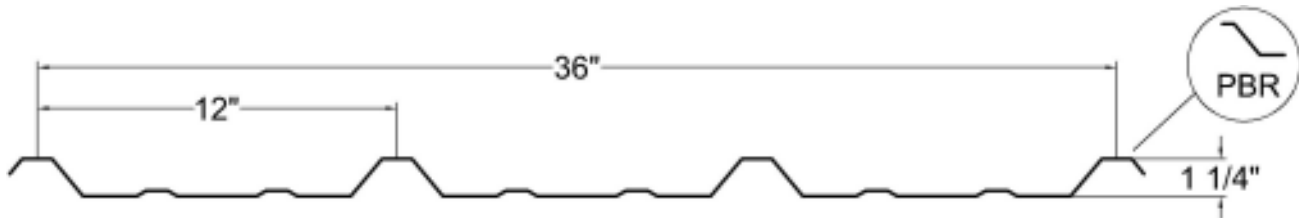
www.ctmrs.com
email: info@ctmrs.com

Seguin - Plant/Sales Office
720 West IH 10 Seguin, TX 78155
(830) 379-3600 (877) 622-8677
Fax (830) 379-8753

R / PBR PANEL

INSTALLATION

ARCHITECT / ENGINEERING DATA



GENERAL DESCRIPTION

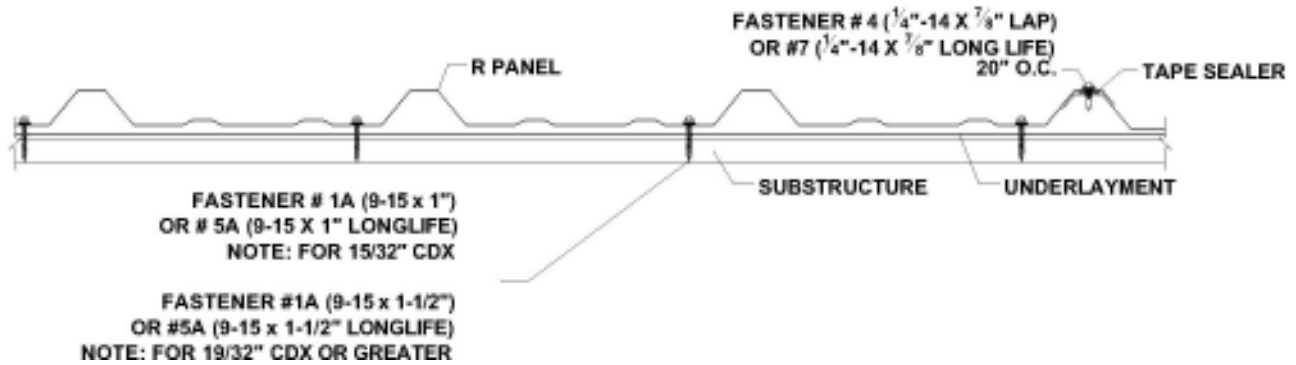
- Rib height : 1 1/4"
- Coverage widths: 36"
- Optional purlin bearing rib (PBR).
- Minimum slope: 1:12
- Panel attachment: Exposed Fastener.
- Panel Substrate: Galvalume or Galvanized.
- Gauges: 29, 26, 24 or 22
- Coatings: Acrylic Coated Galvalume
Silicone Modified Polyester Paint System
Kynar 500 Paint System
Other substrates and finishes available, please inquire.

- Use a properly aligned and uniform substructure to avoid panel distortion. Typical substructures include plywood and OSB. All substructure must be properly engineered to meet specified design loads. For illustration purposes, details are shown over plywood decking.
- Any mechanical attachment device that does not lay flat on the deck will telegraph through the panels.
- Panels can be used on roofs with transitions or slope changes.
- All panels are subject to surface distortion due to improperly applied fasteners. Overdriven fasteners will cause stress and induce oil canning across the face of the panel at or near the point of attachment. Standard CTMRS fasteners are recommended for attachment to metal and wood for all architectural panels. Use maximum caution when fastening to a wood structure.
- All panels require sealant at eave or valley conditions.

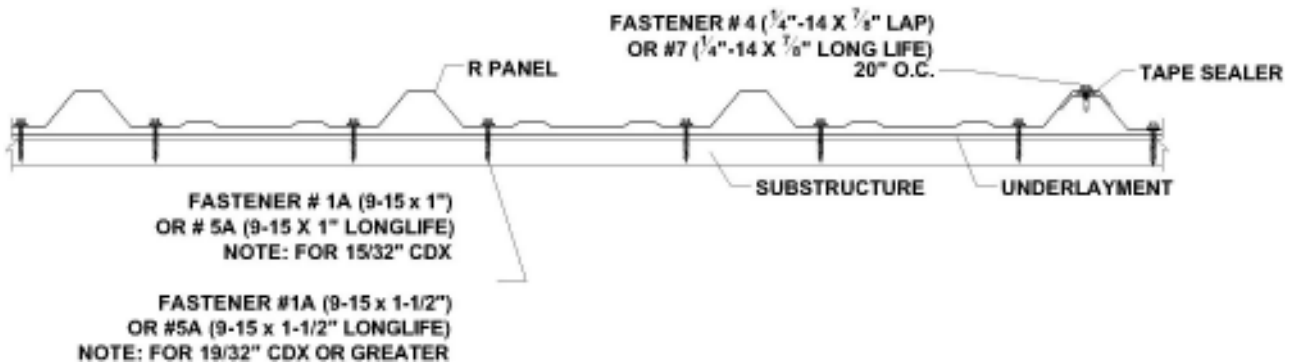
R / PBR PANEL INSTALLATION

FASTENER TYPICAL DETAILS

FASTENER PATTERN TYPE 1 (INTERIOR)



FASTENER PATTERN TYPE 2 (EXTERIOR)

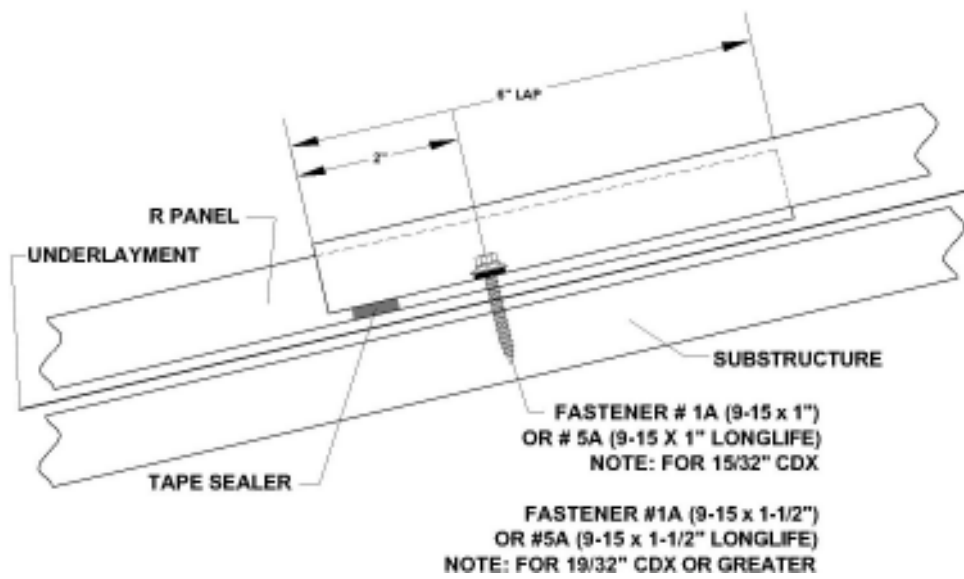


NOTE:

Fastener Pattern Type 2 is required on the entire roof for TDI Texas Windstorm approval.

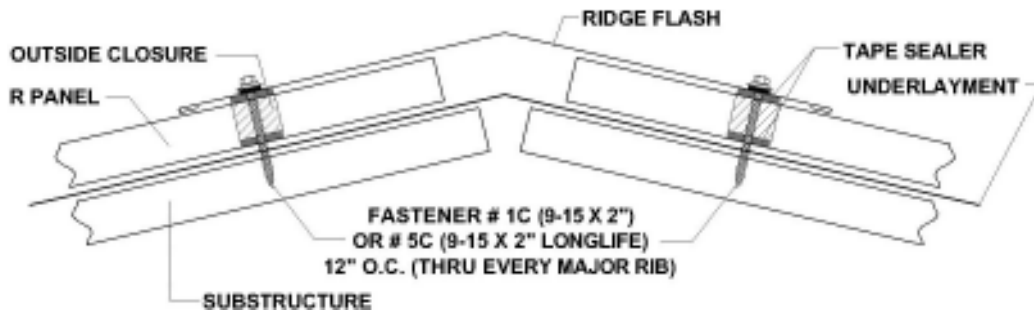
R / PBR PANEL INSTALLATION

ENDLAP TYPICAL DETAILS



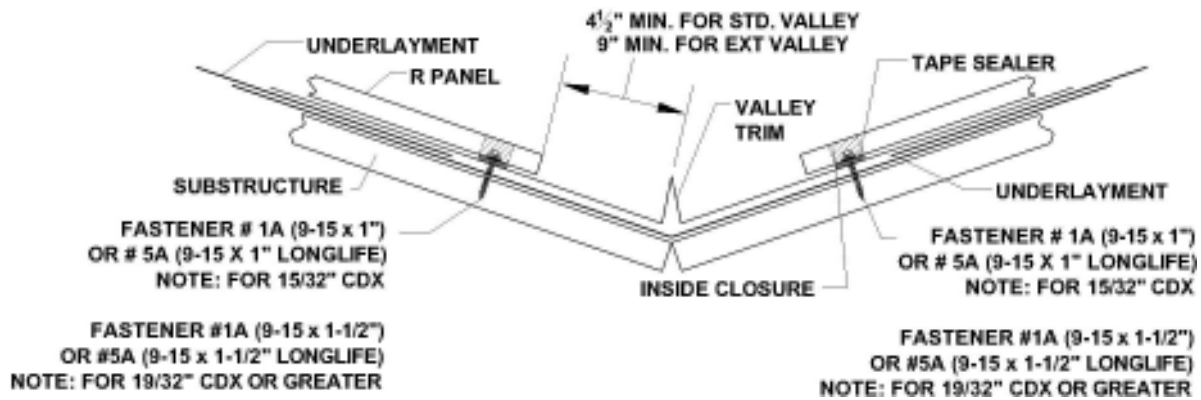
R / PBR PANEL INSTALLATION

RIDGE/HIP TYPICAL DETAILS



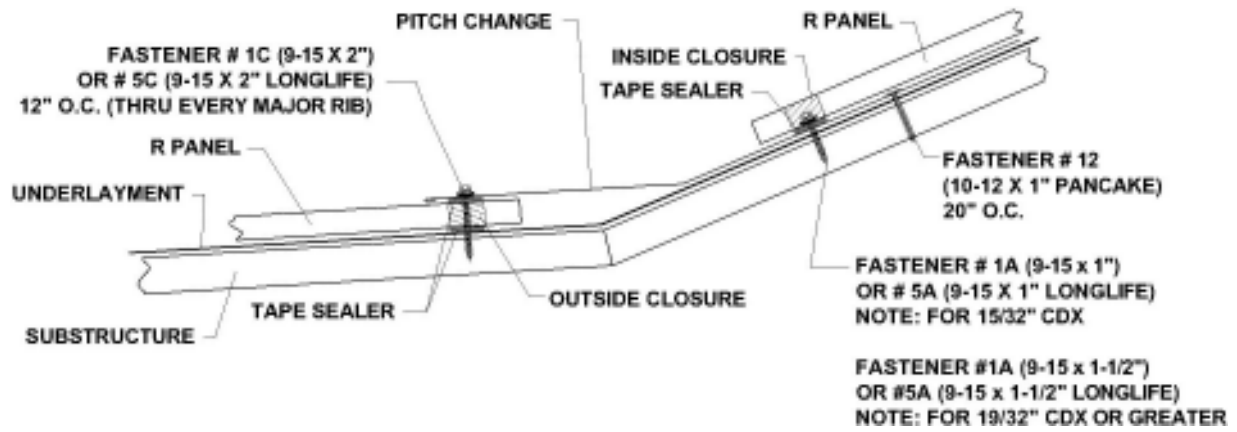
R / PBR PANEL INSTALLATION

VALLEY TYPICAL DETAILS



R / PBR PANEL INSTALLATION

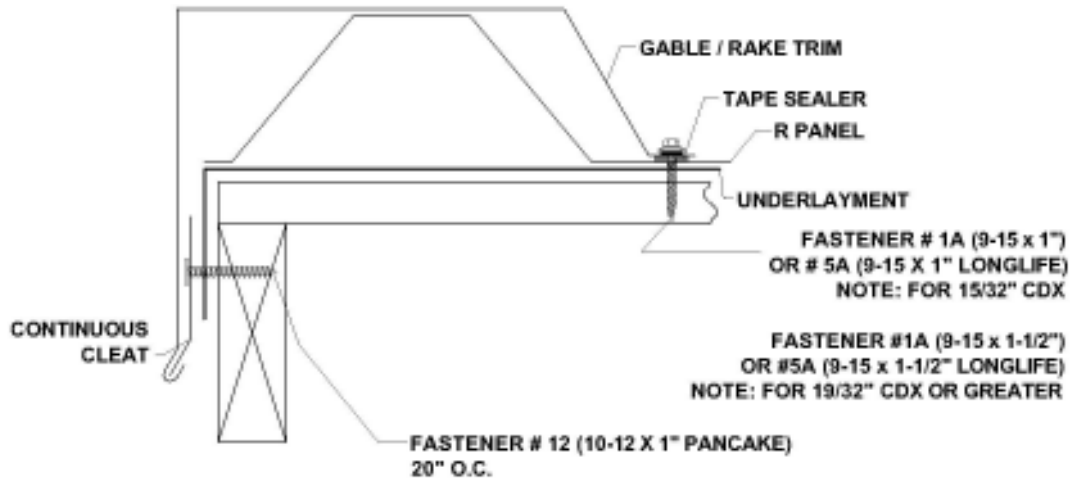
PITCH CHANGE TYPICAL DETAILS



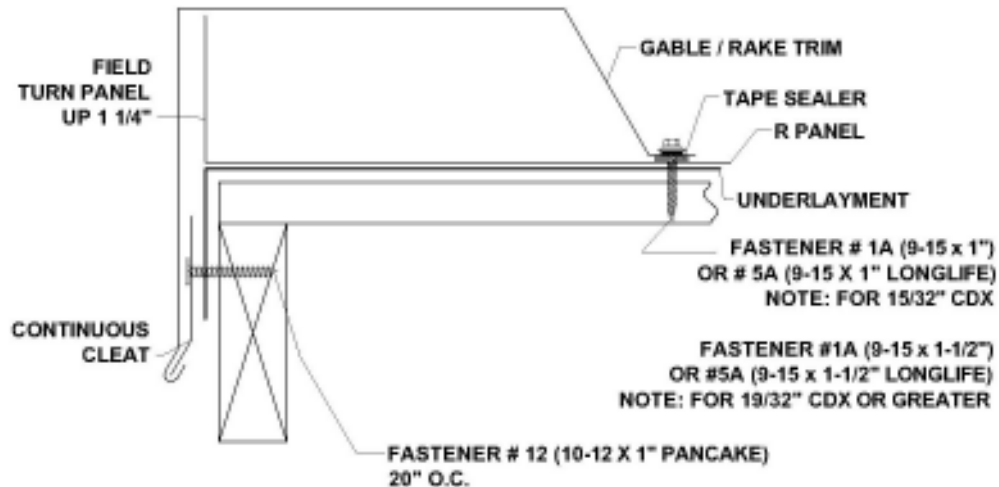
R / PBR PANEL INSTALLATION

FIXED RAKE TYPICAL DETAILS

FINISHING ON MODULE

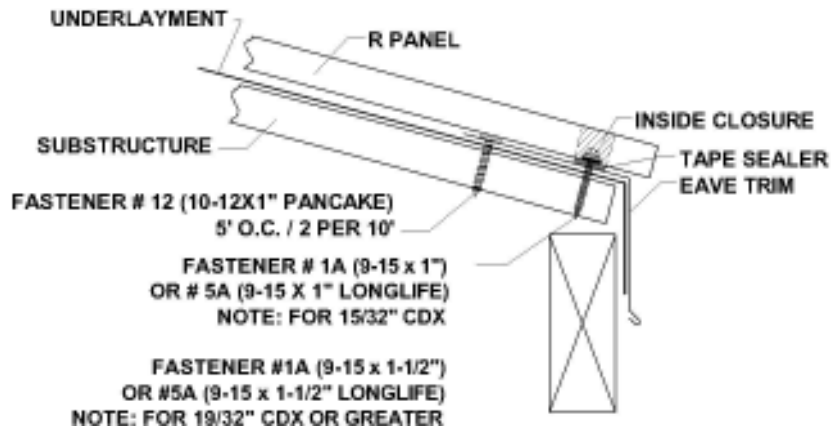


FINISHING OFF MODULE

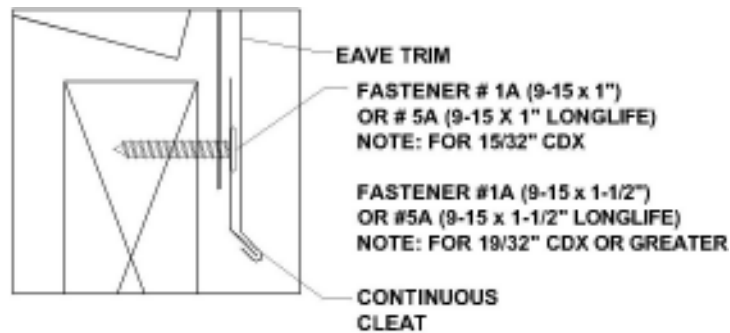


R / PBR PANEL INSTALLATION

EAVE TYPICAL DETAILS

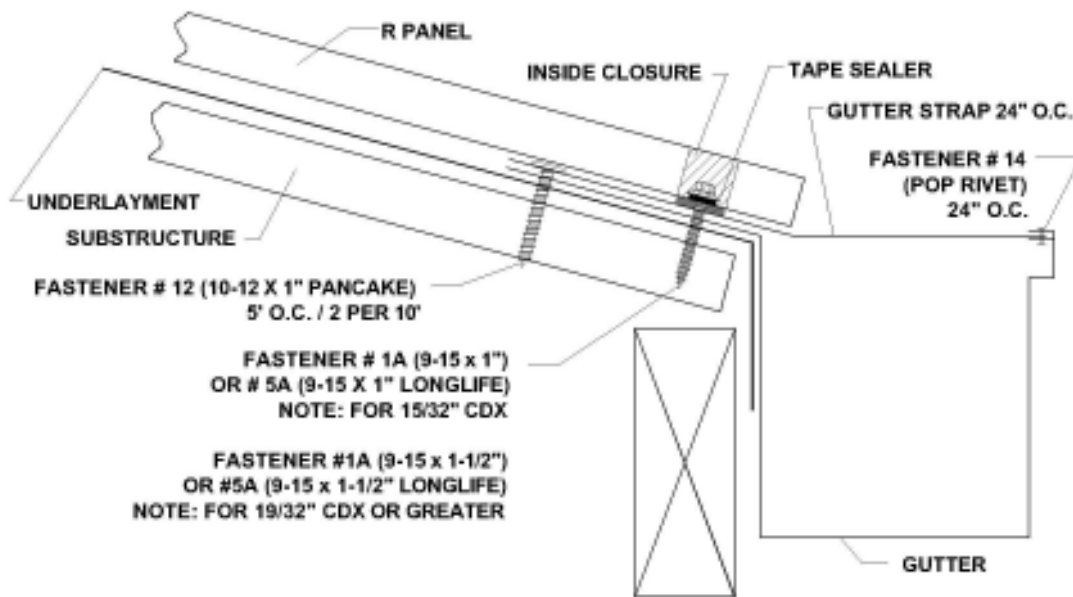


ALTERNATIVE EAVE



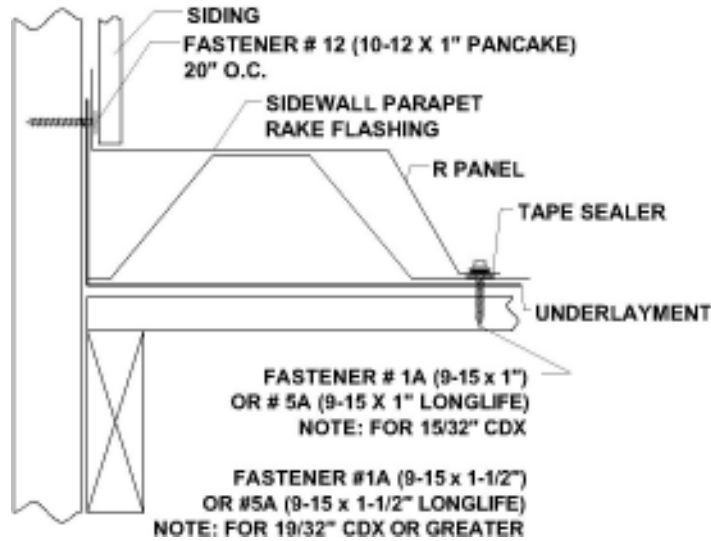
R / PBR PANEL INSTALLATION

GUTTER TYPICAL DETAILS

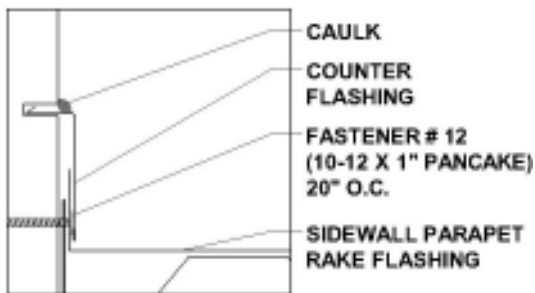


R / PBR PANEL INSTALLATION

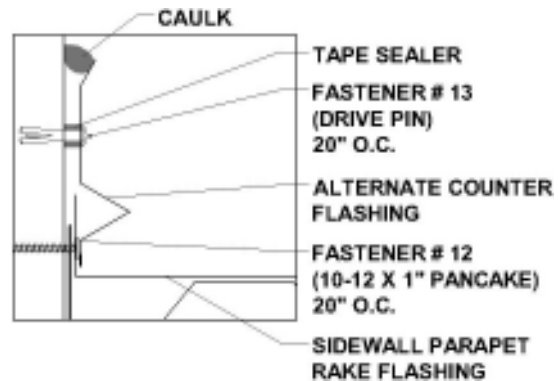
FIXED SIDEWALL TYPICAL DETAILS



COUNTER FLASHING

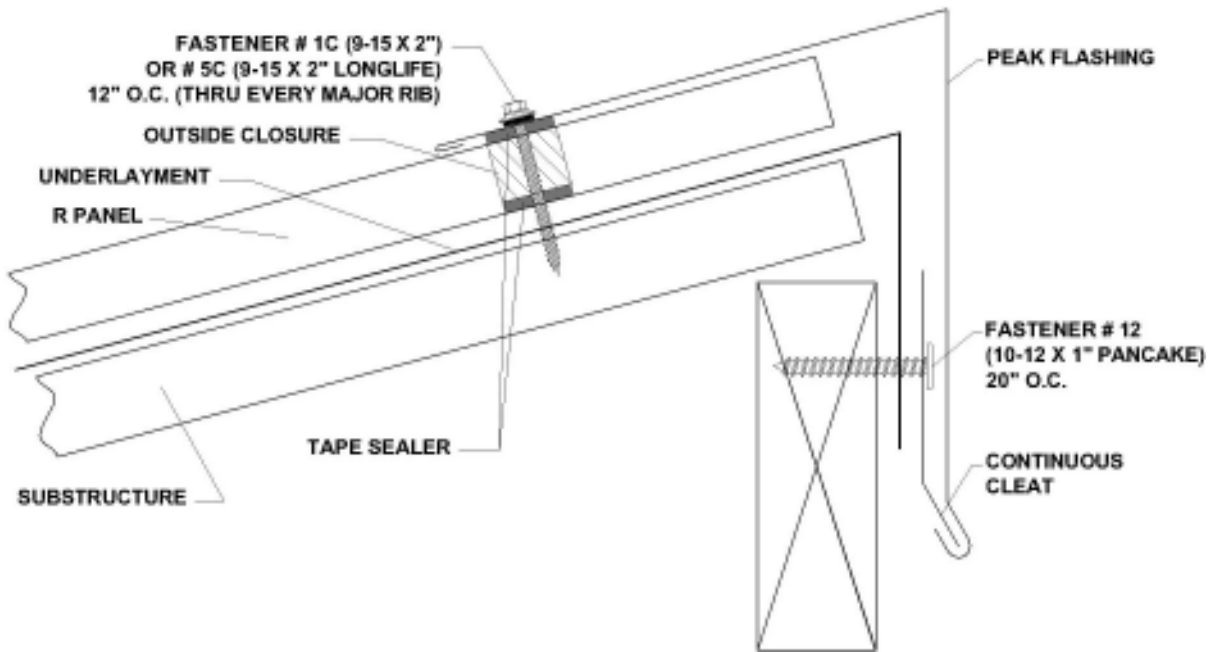


ALTERNATE COUNTER FLASHING



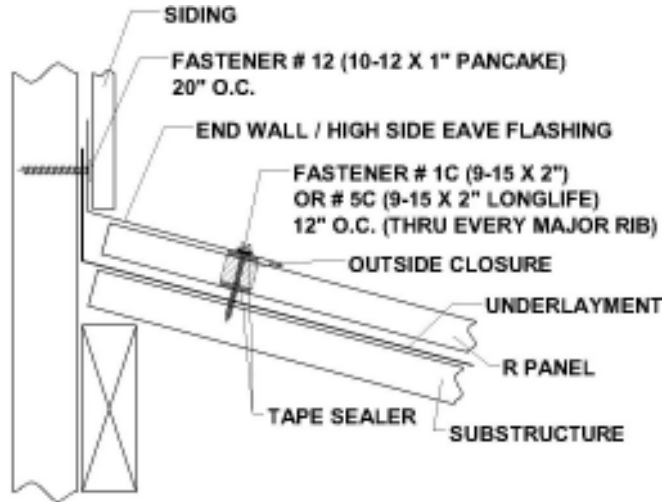
R / PBR PANEL INSTALLATION

PEAK TYPICAL DETAILS

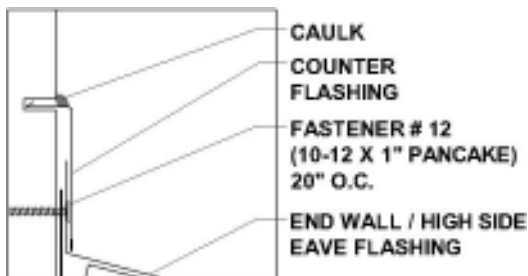


R / PBR PANEL INSTALLATION

ENDWALL TYPICAL DETAILS



COUNTER FLASHING



ALTERNATE COUNTER FLASHING

