



Central Texas Metal Roofing Supply Co., Inc.

**SHURLOC 175
OVER WOOD DECK**

STANDARD DETAILS

Austin - Headquarters/Sales Office
830 Sagebrush Drive Austin, TX 78758
(512) 452-1515 (800) 428-7412
Fax (512) 833-7499

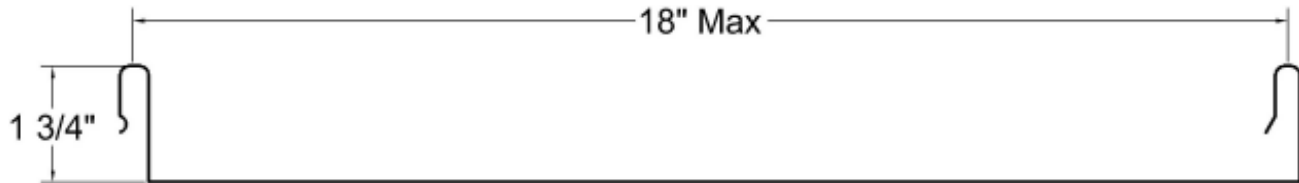
www.ctmrs.com
email: info@ctmrs.com

Seguin - Plant/Sales Office
720 West IH 10 Seguin, TX 78155
(830) 379-3600 (877) 622-8677
Fax (830) 379-8753

SHURLOC 175

INSTALLATION

ARCHITECT / ENGINEERING DATA



GENERAL DESCRIPTION

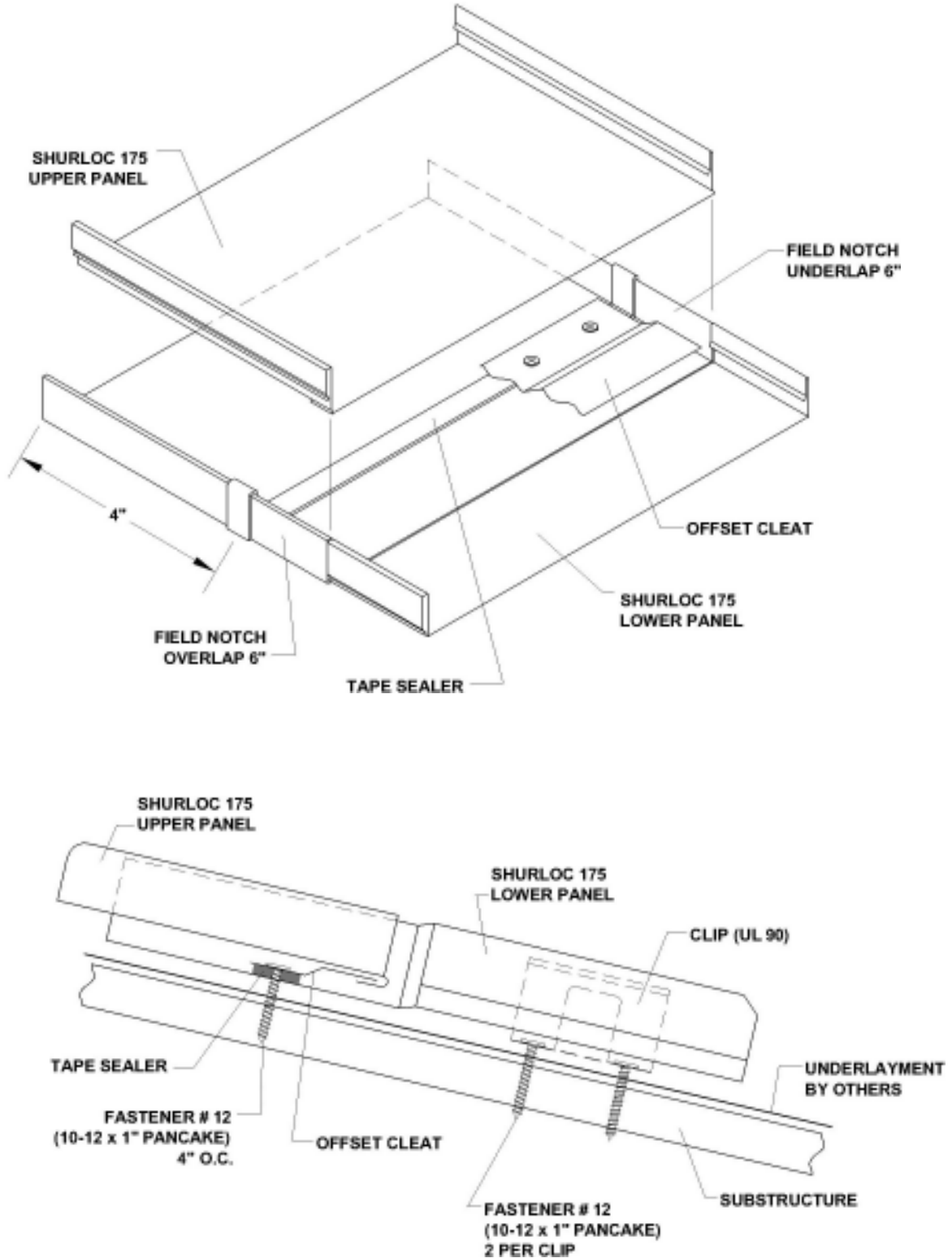
- Rib height : 1 3/4"
- Coverage widths: Inquire
- Integral batten.
- Standard striations (optional without).
- Minimum slope: 3:12
- Panel attachment: Clip (concealed fastener).
- Panel Substrate: Galvalume or Galvanized.
- Gauges: 26 or 24
- Coatings: Acrylic Coated Galvalume
Paint Grip
Silicone Modified Polyester Paint System
Kynar 500 Paint System
Other substrates and finishes available, please inquire.

- Use a properly aligned and uniform substructure to avoid panel distortion. Typical substructures include plywood and OSB. All substructure must be properly engineered to meet specified design loads. For illustration purposes, details are shown over plywood decking.
- Any mechanical attachment device that does not lay flat on the deck will telegraph through the panels.
- Panels can be used on roofs with transitions or slope changes.
- All panels are subject to surface distortion due to improperly applied fasteners. Overdriven fasteners will cause stress and induce oil canning across the face of the panel at or near the point of attachment. Standard CTMRS fasteners are recommended for attachment to metal and wood for all architectural panels. Use maximum caution when fastening to a wood structure.
- All panels require sealant at eave or valley conditions.
- Narrower widths, heavier gauges, striations, and embossing minimize the chance of oil canning. Fastener spacing affects the final appearance of the roof. Oil canning is not a reason for field rejection.

SHURLOC 175

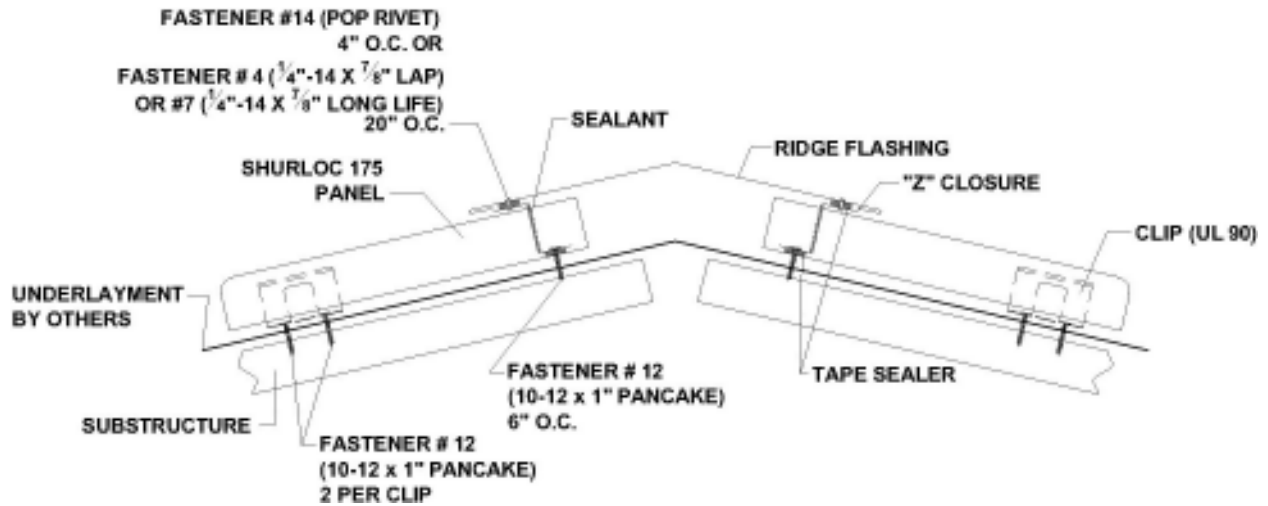
INSTALLATION

ENDLAP TYPICAL DETAILS

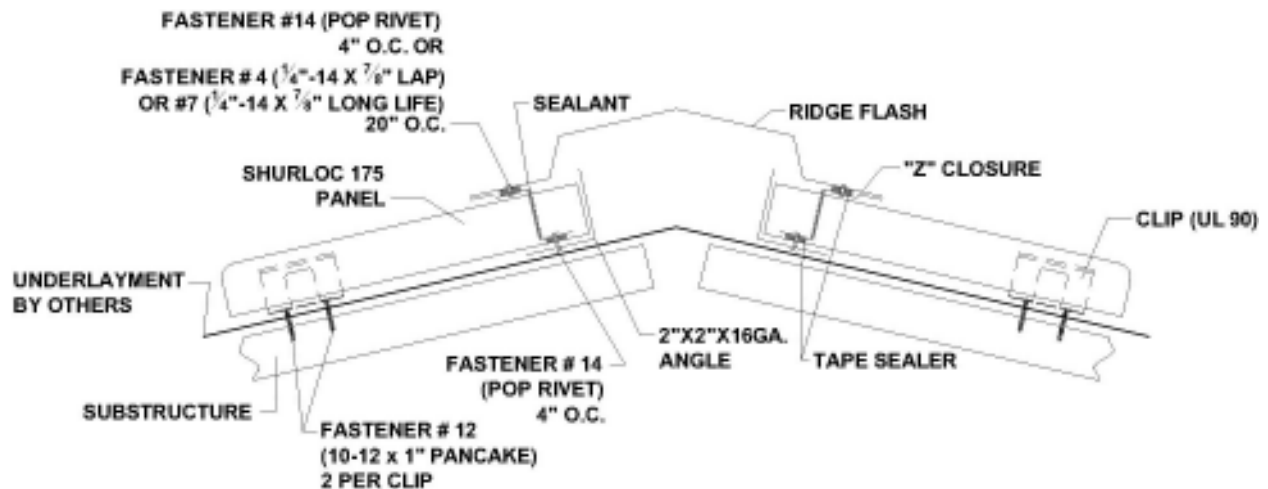


SHURLOC 175 INSTALLATION

RIDGE/HIP TYPICAL DETAILS



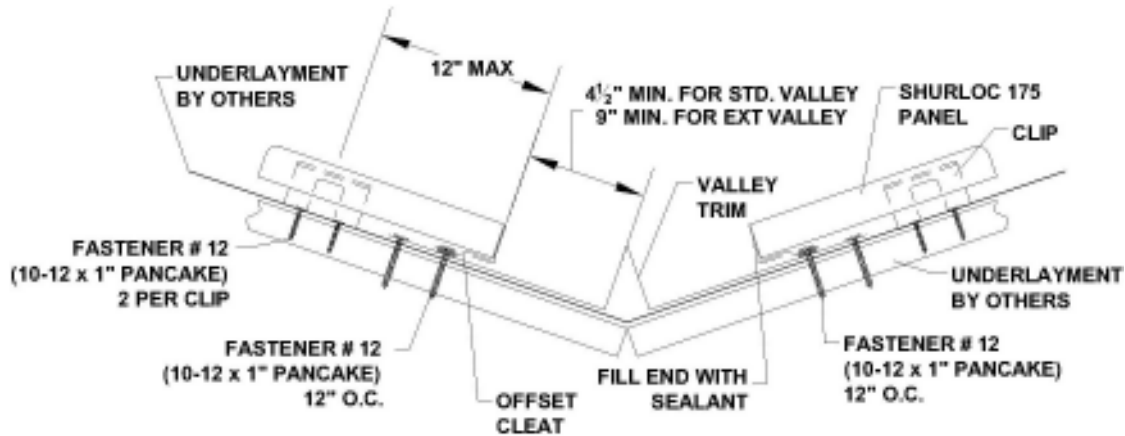
FLOATING RIDGE



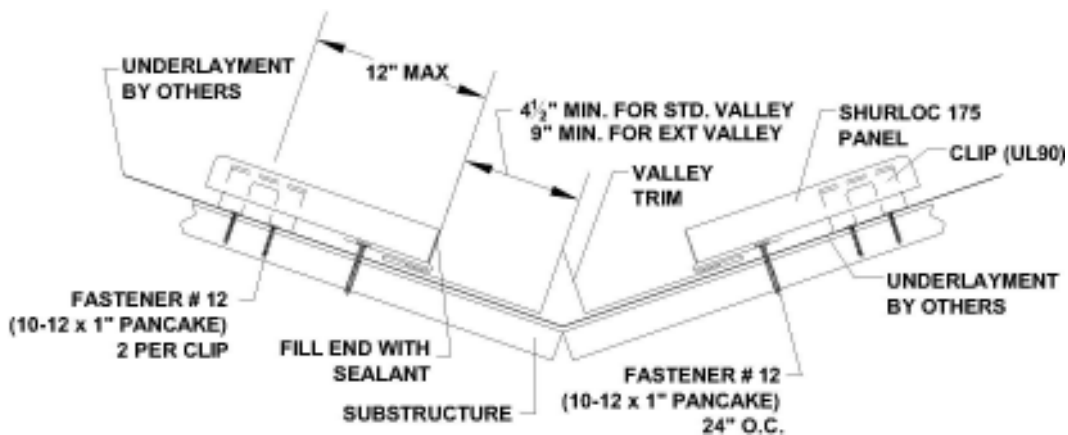
SHURLOC 175 INSTALLATION

VALLEY TYPICAL DETAILS

VALLEY WITH OFFSET CLEAT



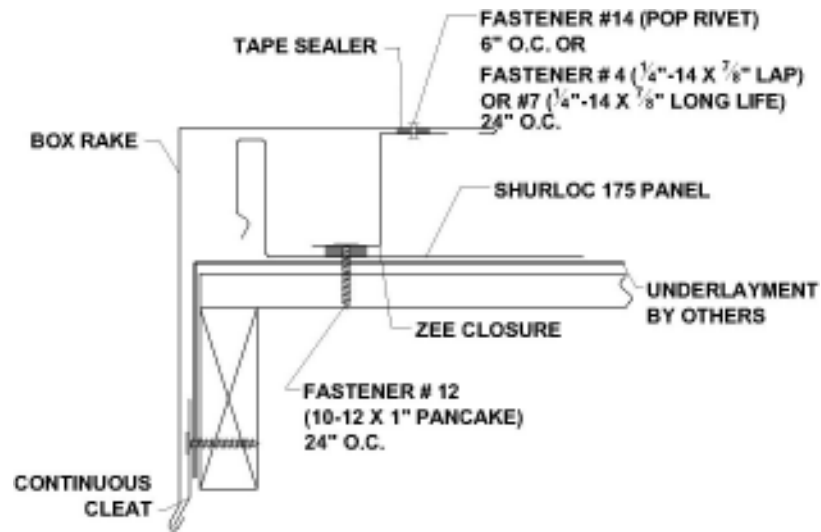
VALLEY WITH INTEGRATED CLEAT



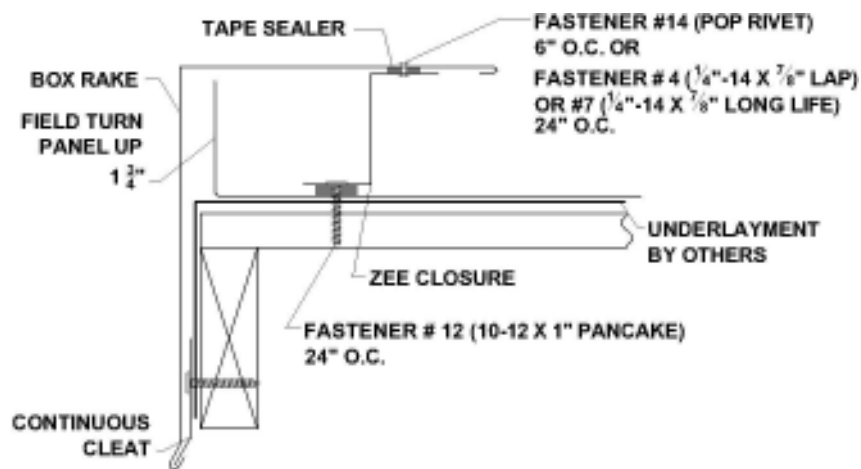
SHURLOC 175 INSTALLATION

FIXED RAKE TYPICAL DETAILS

FINISHING ON MODULE



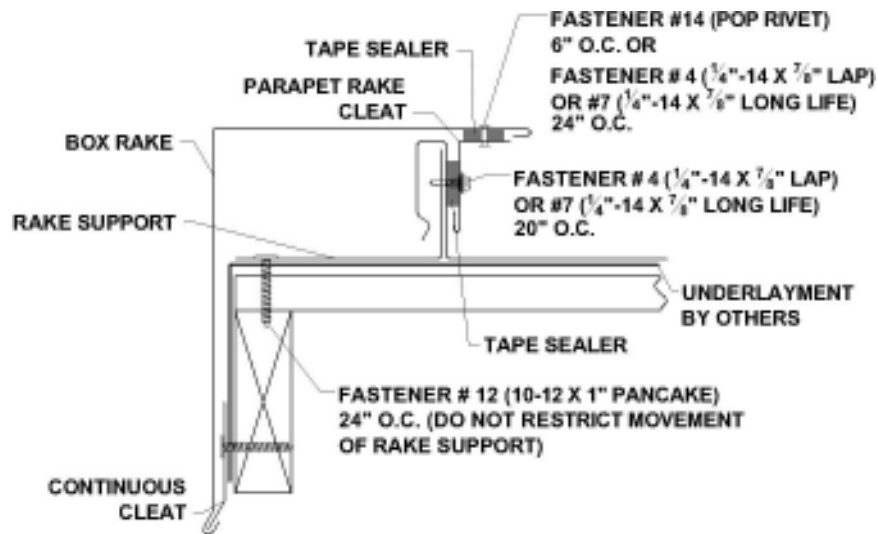
FINISHING OFF MODULE



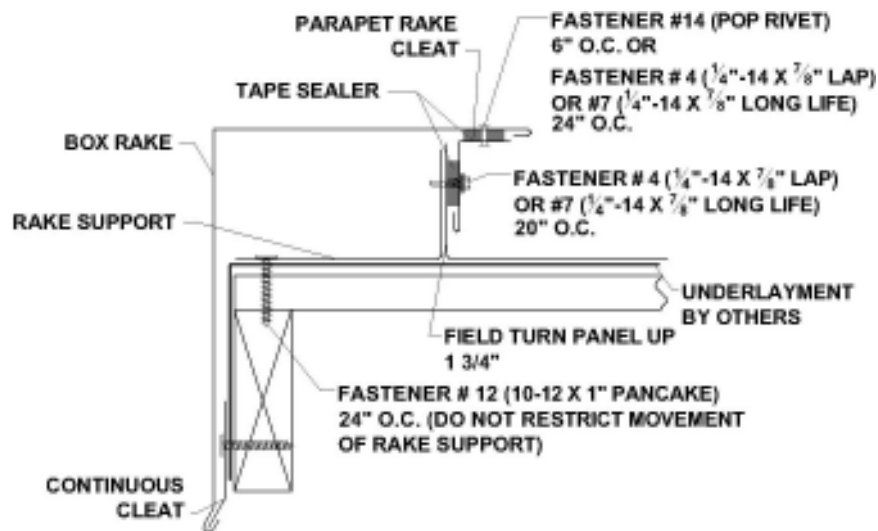
SHURLOC 175 INSTALLATION

FLOATING RAKE TYPICAL DETAILS

FINISHING ON MODULE

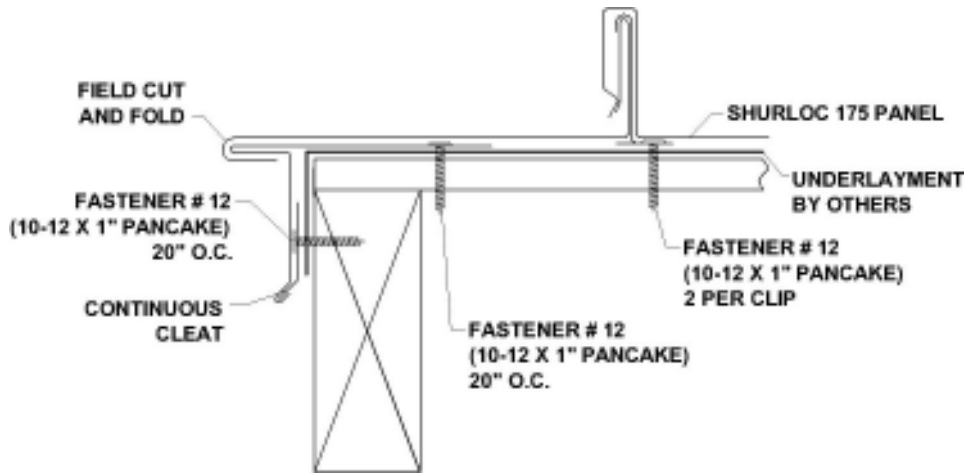


FINISHING OFF MODULE



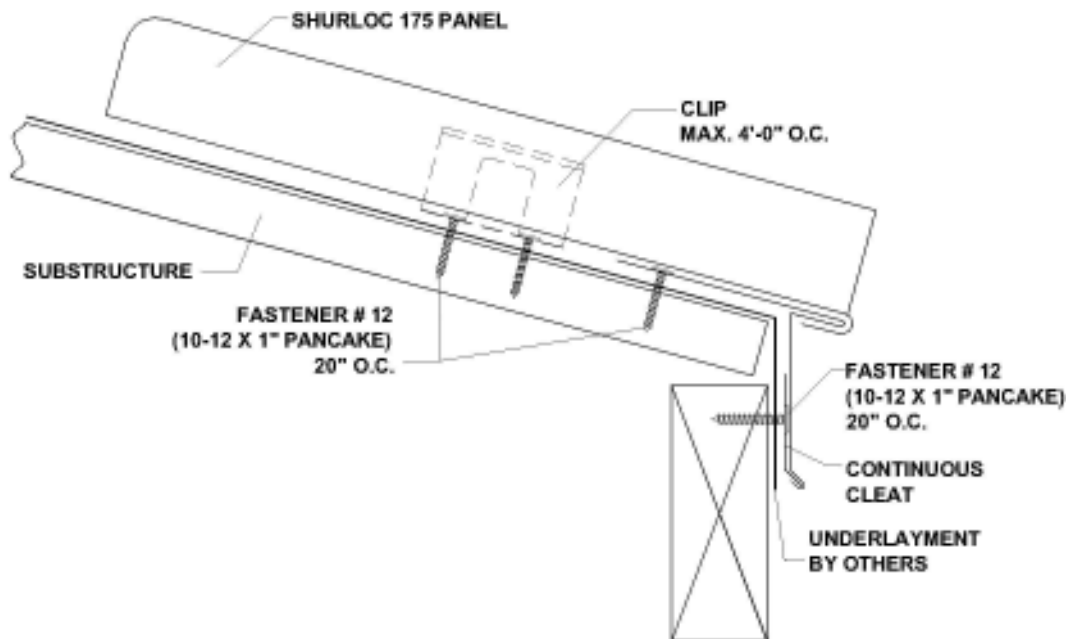
SHURLOC 175 INSTALLATION

ALTERNATE RAKE TYPICAL DETAILS



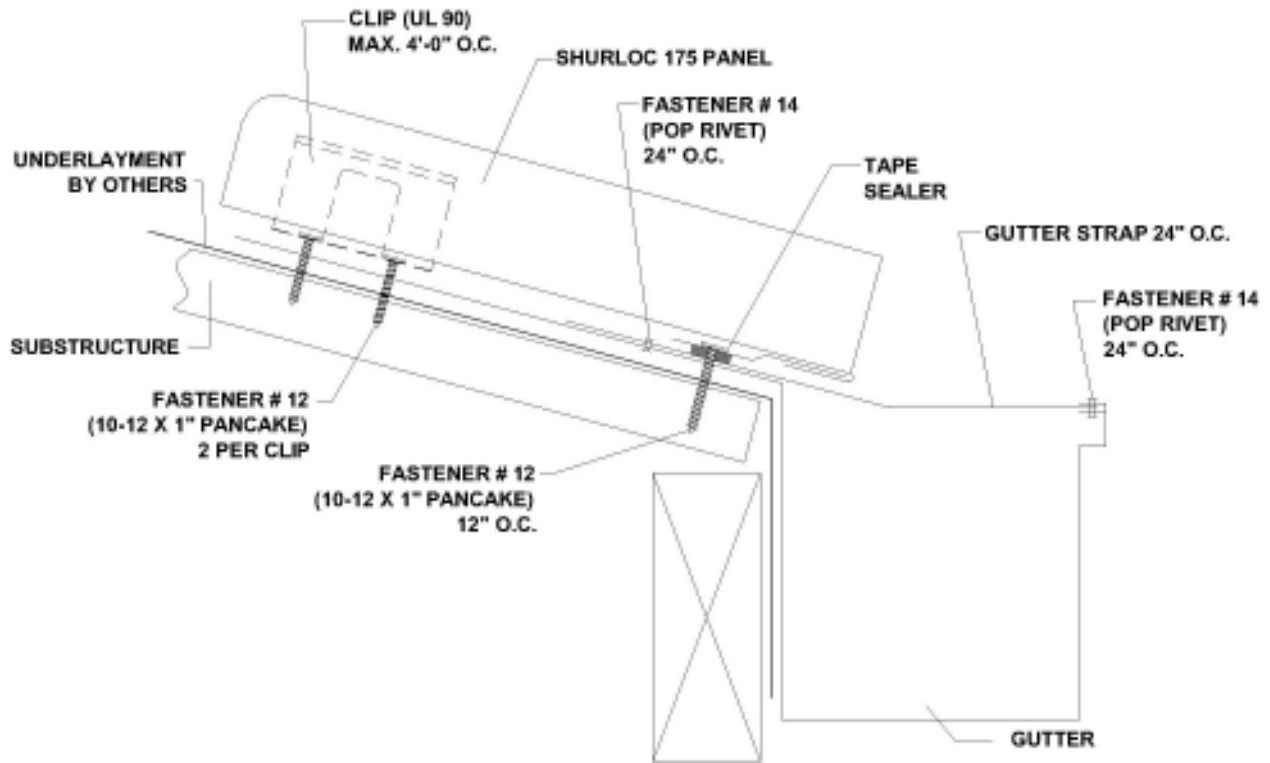
SHURLOC 175 INSTALLATION

EAVE TYPICAL DETAILS



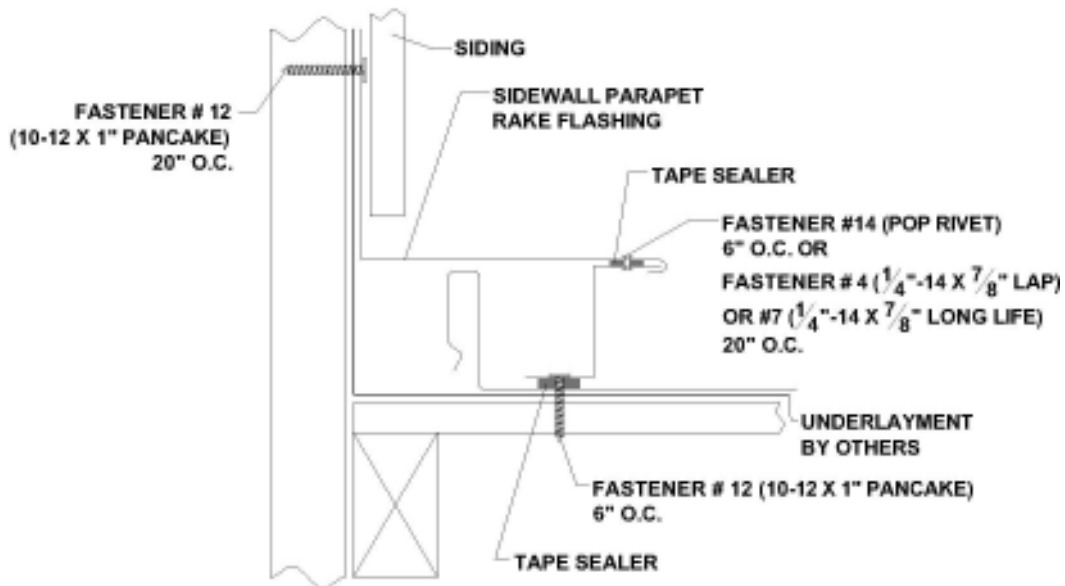
SHURLOC 175 INSTALLATION

GUTTER TYPICAL DETAILS

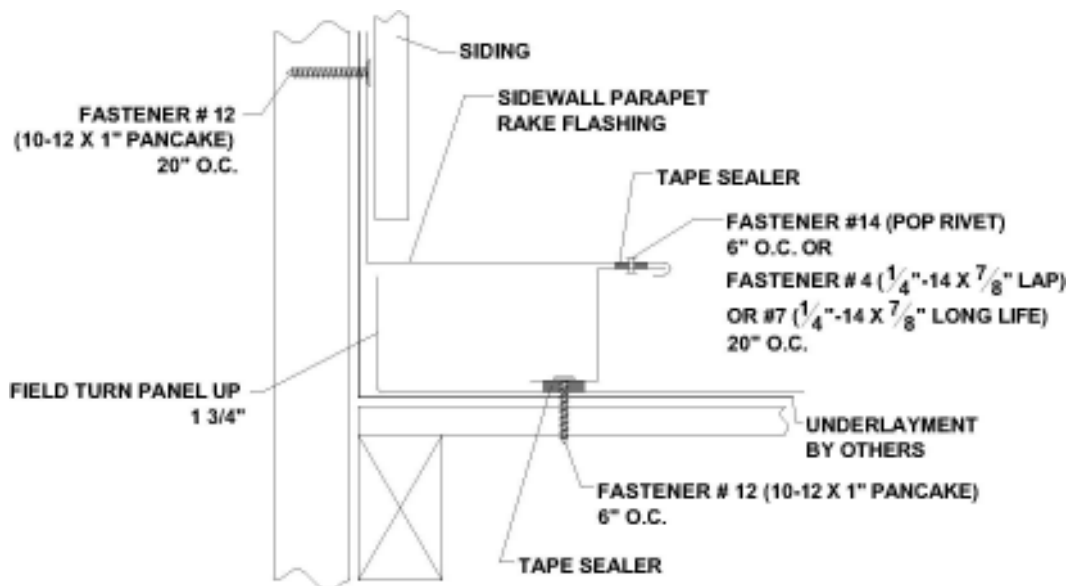


SHURLOC 175 INSTALLATION

FIXED SIDEWALL TYPICAL DETAILS FINISHING ON MODULE



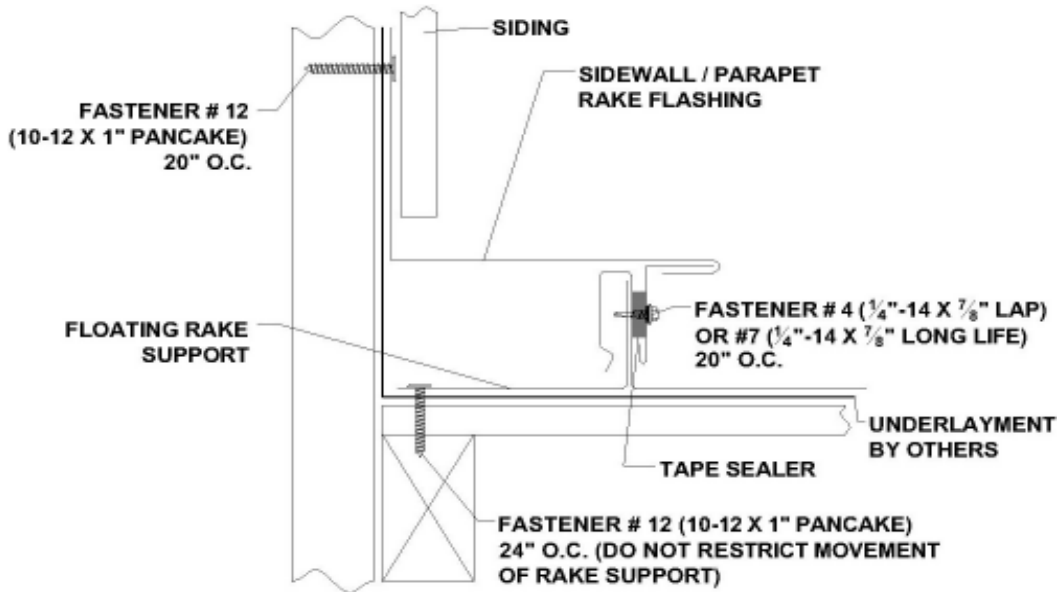
FINISHING OFF MODULE



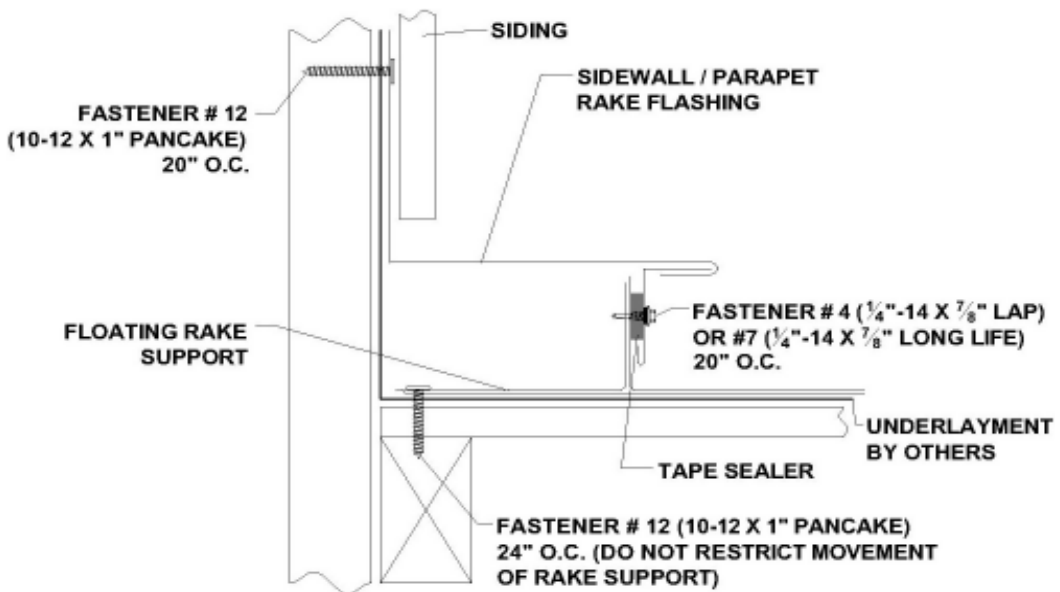
SHURLOC 175 INSTALLATION

FLOATING SIDEWALL TYPICAL DETAILS

FINISHING ON MODULE

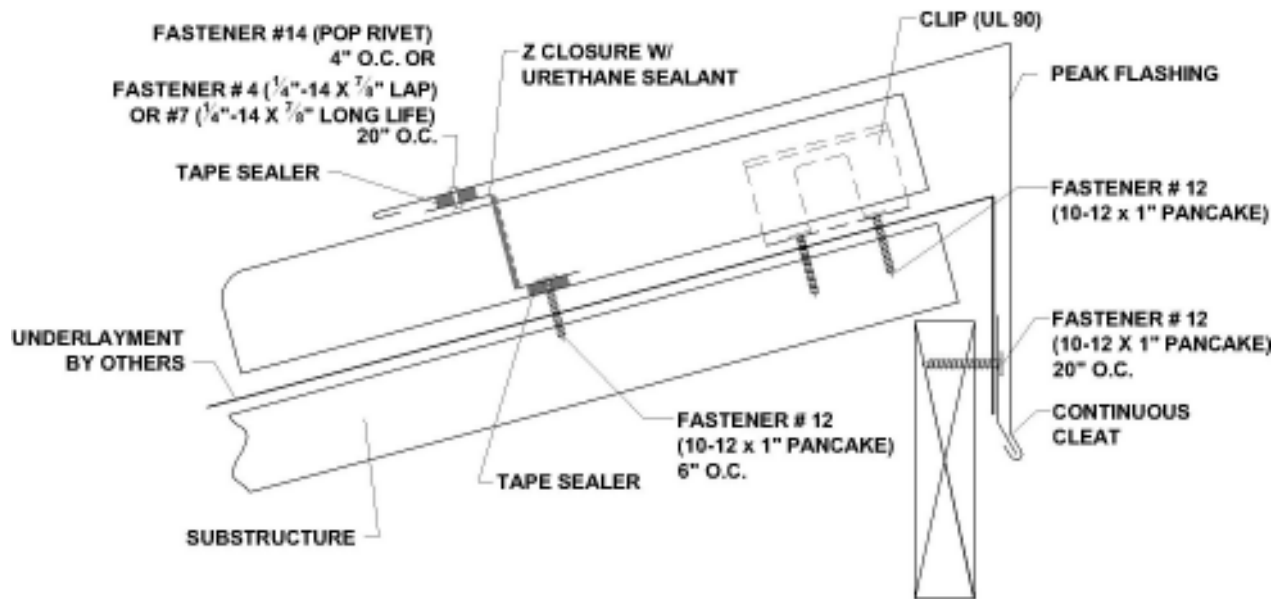


FINISHING OFF MODULE



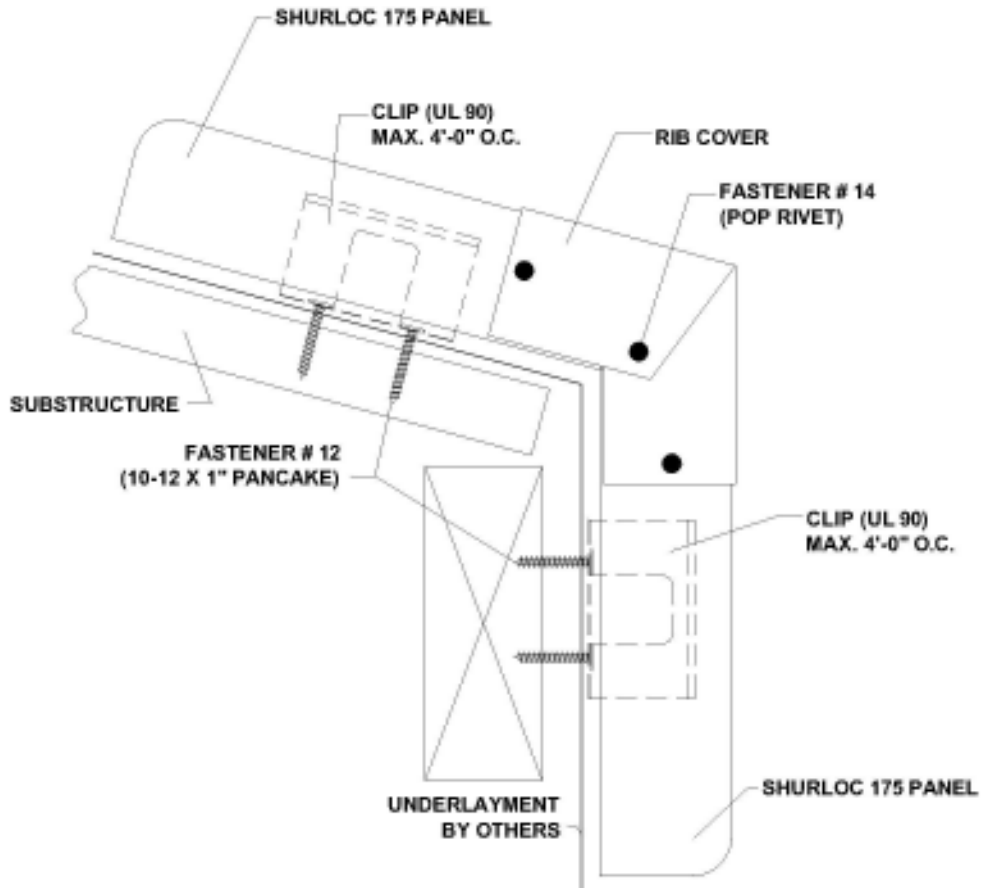
SHURLOC 175 INSTALLATION

PEAK TYPICAL DETAILS



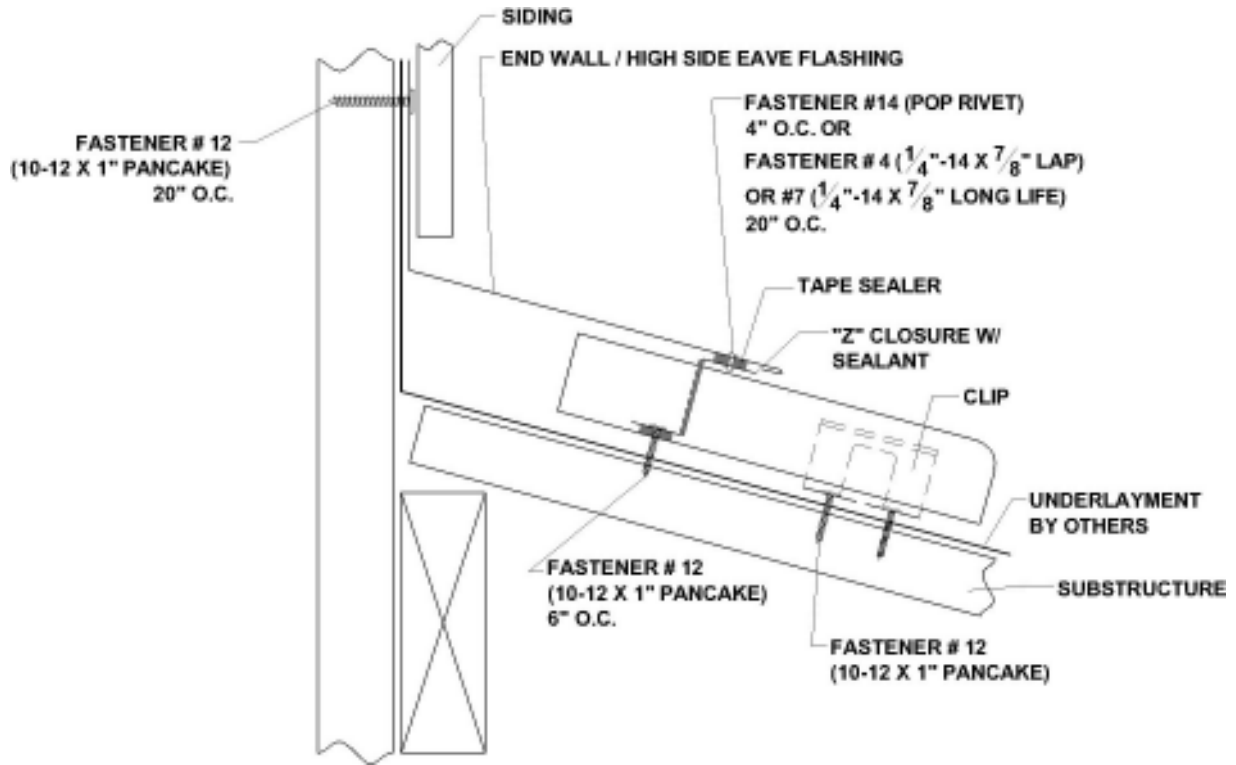
SHURLOC 175 INSTALLATION

ROOF TRANSITION TYPICAL DETAILS

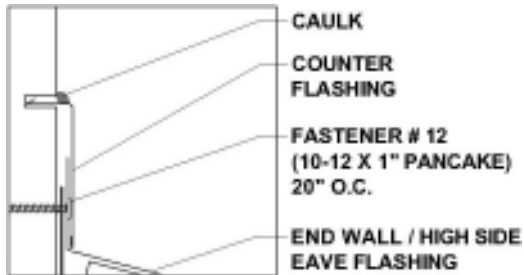


SHURLOC 175 INSTALLATION

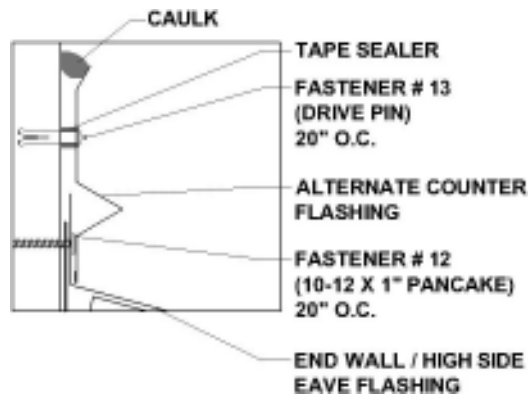
ENDWALL TYPICAL DETAILS



COUNTER FLASHING

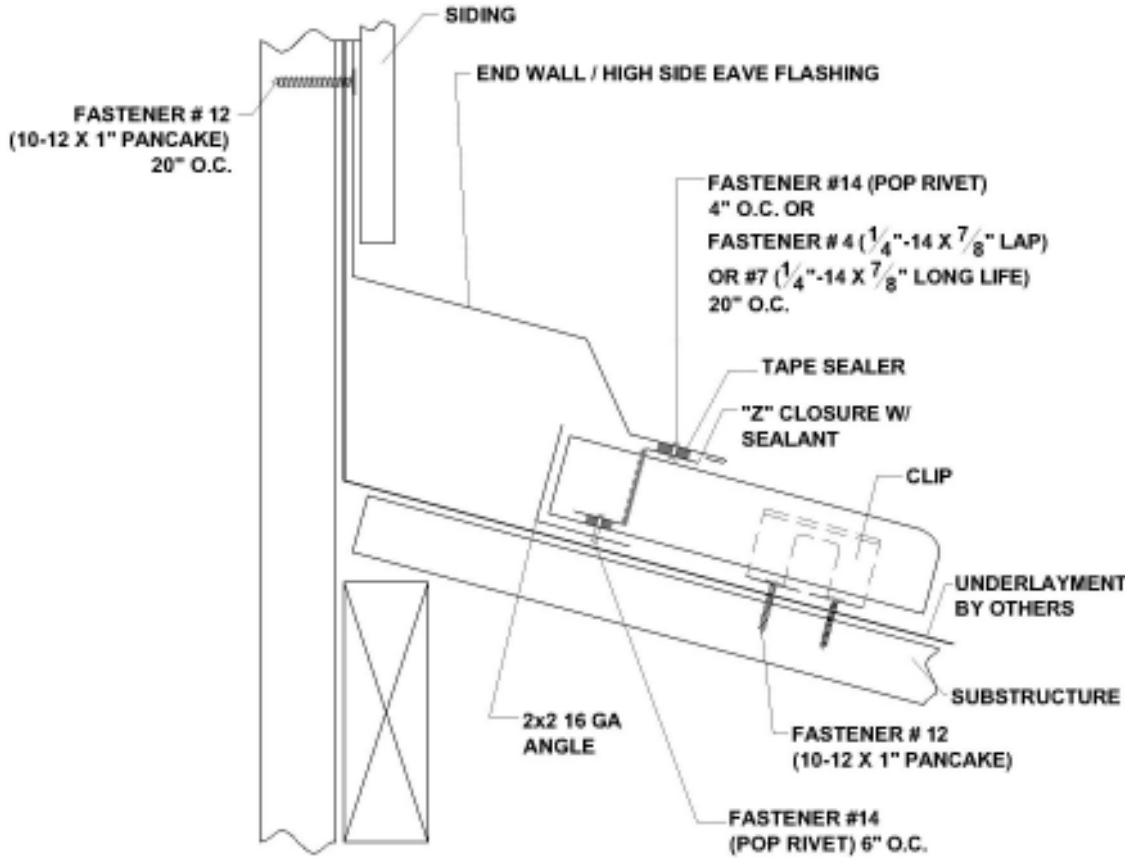


ALTERNATE COUNTER FLASHING

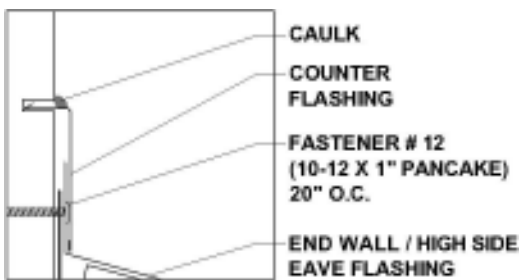


SHURLOC 175 INSTALLATION

FLOATING ENDWALL TYPICAL DETAILS



COUNTER FLASHING



ALTERNATE COUNTER FLASHING

