

# TGKX.161 - ROOF DECK CONSTRUCTIONS

## Design/System/Construction/Assembly Usage Disclaimer

- Authorities Having Jurisdiction should be consulted in all cases as to the particular requirements covering the installation and use of UL Certified products, equipment, system, devices, and materials.
- Authorities Having Jurisdiction should be consulted before construction.
- Fire resistance assemblies and products are developed by the design submitter and have been investigated by UL for compliance with applicable requirements. The published information cannot always address every construction nuance encountered in the field.
- When field issues arise, it is recommended the first contact for assistance be the technical service staff provided by the product manufacturer noted for the design. Users of fire resistance assemblies are advised to consult the general Guide Information for each product category and each group of assemblies. The Guide Information includes specifics concerning alternate materials and alternate methods of construction.
- Only products which bear UL's Mark are considered Certified.

---

## Roof Deck Constructions

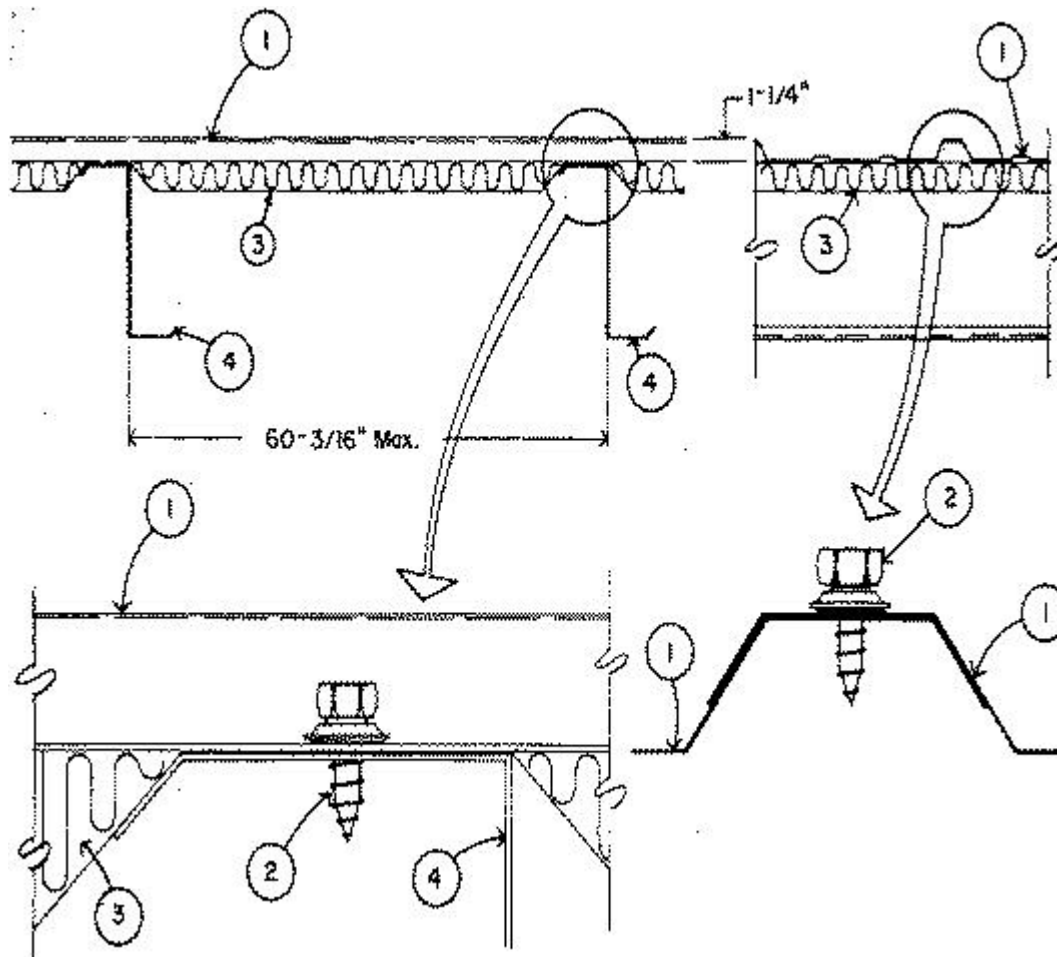
See General Information for Roof Deck Constructions

### **Construction No. 161**

November 08, 2018

**Uplift — Class 90**

**Fire Not Investigated**



1. **Metal Roof Deck Panels\*** — No. 26 MSG minimum gauge coated steel. Panels continuous over two or more spans. End laps to occur over purlins with panels overlapped 3 in. minimum, 6 in. maximum with lap centered over purlin web. A line of tape sealant may be used at panel side and end laps.

**A & S BUILDING SYSTEMS L P** (View Classification) — "R" or "PBR" Panel

**ACI BUILDING SYSTEMS INC** (View Classification) — "R" or "PBR Panel"

**ALL STEEL BUILDINGS & COMPONENTS TUBULAR DIVISION INC** (View Classification) — "R" or "PBR panel"

**ALLIANCE STEEL INC** (View Classification) — "Alliance PBR"

**ALLSOUTH PRE-ENGINEERED COMPONENTS L L C** (View Classification) — "R" or "PBR" Panel

**AMERICAN BUILDING COMPONENTS** (View Classification) — "R" or "PBR Panel"

**AMERICAN BUILDINGS CO** (View Classification) — Long Span III

**BERRIDGE MFG CO** (View Classification) — "R Panel"

**BIGBEE STEEL BUILDINGS INC** (View Classification) — "Bigbee-RibII"

**BORGA STEEL INC** (View Classification) — "BSP"

**BRIDGER STEEL** (View Classification) — "PBR Panel"

**BUILDING COMPONENTS INC** (View Classification) — "R-PANEL" or "PBR-PANEL"

**BURROW CONSTRUCTION INC** (View Classification) — "R Panel"

**BBM STEEL BUILDINGS INC** (View Classification) — "R-Panel"

**B C STEEL BUILDINGS INC** (View Classification) — B C Steel Building "R/PBR"

**CENTRAL STATES MFG INC** (View Classification) — "R Loc"

**CENTRAL TEXAS METAL ROLLFORMING INC** (View Classification) — "R-Panel" or "PBR-Panel"

**CENTRIA, A DIVISION OF NCI GROUP, INC** (View Classification) — "R" or "PBR"

**CO BUILDING SYSTEMS** (View Classification) — "R" or "PBR"

**COMMERCIAL BUILDING COMPONENTS INC** (View Classification) — "R"

**CORLE BUILDING SYSTEMS INC** (View Classification) — "R Panel"

**CREGO METAL SYSTEMS** (View Classification) — "CMR"

**DAKOTA STEEL & TRIM INC** (View Classification) — "R Panel"

**EAST TEXAS ARCHITECTURAL SHEETMETAL L L C, DBA ETAS INC** (View Classification) — "R Panel"

**FLATIRON STEEL** (View Classification) — "PBR"

**GIDEON STEEL PANEL CO L L C** (View Classification) — "Gideon R-Panel" or "Gideon PBR"

**GRABER POST BLDS INC** (View Classification) — "R-Panel"

**H&H METAL PRODUCTS INC** (View Classification) — "PBR Panel"

**JAG METALS LLC** (View Classification) — "PBR Panel"

**HORIZON STRUCTURAL SYSTEMS** (View Classification) — "R" or "PBR"

**IDEAL STEEL L L C** (View Classification) — "PBR Panel"

**INDACO METALS L L C** (View Classification) — "Indaco R" or "Indaco PBR"

**JNL STEEL COMPONENTS INC** (View Classification) — "R-PANEL" or "PBR-PANEL"

**JOHN FLANERY DBA METAL COUNTRY** (View Classification) — "R-Panel"

**KIRBY BUILDING SYSTEMS INC** (View Classification) — "Kirby-Rib II"

**MARLYN METALS INC** (View Classification) — "R" or "PBR"

**MBCI** (View Classification) — "R" or "PBR" Panel

**MCELROY METAL MILL INC** (View Classification) — "R Panel"

**MESCO METAL BUILDINGS** (View Classification) — "R" or "PBR" Panel

**METALLION INDUSTRIES INC** (View Classification) — "PBR"

**METALMAX L L C** (View Classification) — "R Panel" or "PBR Panel"

**METAL SALES MANUFACTURING CORPORATION** (View Classification) — "R Panel", "PBR Panel".

**MUELLER INC** (View Classification) — "R" or "PBR"

**MUELLER INC** (View Classification) — "R" or "PBR"

**NCI BUILDING SYSTEMS L P** (View Classification) — "R" or "PBR" Panel

**NORTHLAND STEEL AND TRIM** (View Classification) — "R-Panel"

**NUCOR BUILDING SYSTEMS, DIV OF NUCOR CORP** (View Classification) — "Classic"

**OAKLAND METAL BUILDINGS INC** (View Classification) — "PBR"

**PINNACLE STRUCTURES INC** (View Classification) — "PBR"

**PRIME BUILDING COMPONENTS L L C** (View Classification) — "R Panel"

**RAMCO BUILDER AND SUPPLY LLC** — "R-Panel"

**REEDS METALS OF BENTON** (View Classification) — "PBR"

**RIGID GLOBAL BUILDINGS L L C** (View Classification) — "R" or "PBR"

**S&S STEEL BUILDINGS INC** (View Classification) — "RR" or "PRR"

**SAN ANTONIO QUALITY METALS** (View Classification) — "R-Panel", "PBR-Panel"

**SBC BUILDING SYSTEMS L L C** (View Classification) — "SBC PBR Panel"

**SCHULTE BUILDING SYSTEMS INC** (View Classification) — "R" or "PBR" Panel

**SOUTHWEST METAL COMPONENTS AND SUPPLY LP** (View Classification) — "R-Panel" or "PBR"

**SPIRKO MANUFACTURING** (View Classification) — "R Panel"

**STANDARD STRUCTURES INC** (View Classification) — "PBR Panel" or "R Panel"

**STEEL BUILDING SUPPLY INC** (View Classification) — "R" or "PBR" Panel

**TAYLOR & SONS PIPE & STEEL INC** (View Classification) — "R-Panel"

**TERRY BUILDING CO INC** (View Classification) — "R" Panel

**TEXAS BUILDING AND ROOFING SUPPLIES INC** — "R" or "PBR" Panel

**TSB INDUSTRIAL INC** (View Classification) — "R" Panel

**TREMCO INC** — "TremLock "R" Panel"

**UNION CORRUGATING CO** (View Classification) — "R-Panel" or "PBR-Panel"

**UNITED STRUCTURES OF AMERICA INC** (View Classification) — "U. S. A. R"

**WEST TEXAS STEEL & SUPPLY** (View Classification) — "R" or "PBR"

**WHEELER METALS INC** (View Classification) — "R-Panel"

**WHIRLWIND STEEL BUILDINGS INC** (View Classification) — "Super Span (X)"

2. **Panel Fasteners** — For panel to panel and panel to purlin connections to be No. 12-14 by 1 in. self-drilling, self-tapping, hex head, plated steel screws with a 5/8 in. OD formed steel washer and a neoprene sealing washer.  
As alternate Fasteners — For panel to purlin connections, 1/4 - 14 HHAB self-tapping, plating steel screws, with a separate 5/8 in. OD dome shaped steel washer and a neoprene sealing washer may be used.

Or: No. 14-10HHA, self-tapping, plating steel screws, with a separate, 5/8 in. OD dome shaped steel washer and a neoprene sealing washer may be used.

Spacing, for panel — to — purlin connections to be 12 in. on center beginning 2 — 1/2 in. from center line on one side of each major rib. Spacing at end lap to be in a 5 — 7 — 5 — 7 in. pattern beginning 2 — 1/2 in. from the center line on both sides of each major rib.

Fastener for panel to purlin connection to be 1-1/4 or 1-1/2 in. long when insulation (Item 3) is greater than 4-1/2 in.

Spacing for panel — to — panel connections to be 20 in. on center with a fastener located in line with the purlin fasteners.

3. **Insulation** — (Optional) — Any compressible blanket insulation 6 in. maximum thickness before compression.

4. **Purlin** — No. 16 MSG minimum gauge steel (50,000 psi minimum yield).

5. **Lateral Bracing** — (Not Shown) — As required.

Refer to General Information, Roof Deck Construction, (On-Line Certification Directory) for items not evaluated.

**\* Indicates such products shall bear the UL or cUL Certification Mark for jurisdictions employing the UL or cUL Certification (such as Canada), respectively.**

Last Updated on 2018-11-08

---

The appearance of a company's name or product in this database does not in itself assure that products so identified have been manufactured under UL's Follow-Up Service. Only those products bearing the UL Mark should be considered to be Certified and covered under UL's Follow-Up Service. Always look for the Mark on the product.

UL permits the reproduction of the material contained in the Online Certification Directory subject to the following conditions: 1. The Guide Information, Assemblies, Constructions, Designs, Systems, and/or Certifications (files) must be presented in their entirety and in a non-misleading manner, without any manipulation of the data (or drawings). 2. The statement "Reprinted from the Online Certifications Directory with permission from UL" must appear adjacent to the extracted material. In addition, the reprinted material must include a copyright notice in the following format: "© 2019 UL LLC"