

TGKX.176 - ROOF DECK CONSTRUCTIONS

Design/System/Construction/Assembly Usage Disclaimer

- Authorities Having Jurisdiction should be consulted in all cases as to the particular requirements covering the installation and use of UL Certified products, equipment, system, devices, and materials.
- Authorities Having Jurisdiction should be consulted before construction.
- Fire resistance assemblies and products are developed by the design submitter and have been investigated by UL for compliance with applicable requirements. The published information cannot always address every construction nuance encountered in the field.
- When field issues arise, it is recommended the first contact for assistance be the technical service staff provided by the product manufacturer noted for the design. Users of fire resistance assemblies are advised to consult the general Guide Information for each product category and each group of assemblies. The Guide Information includes specifics concerning alternate materials and alternate methods of construction.
- Only products which bear UL's Mark are considered Certified.

Roof Deck Constructions

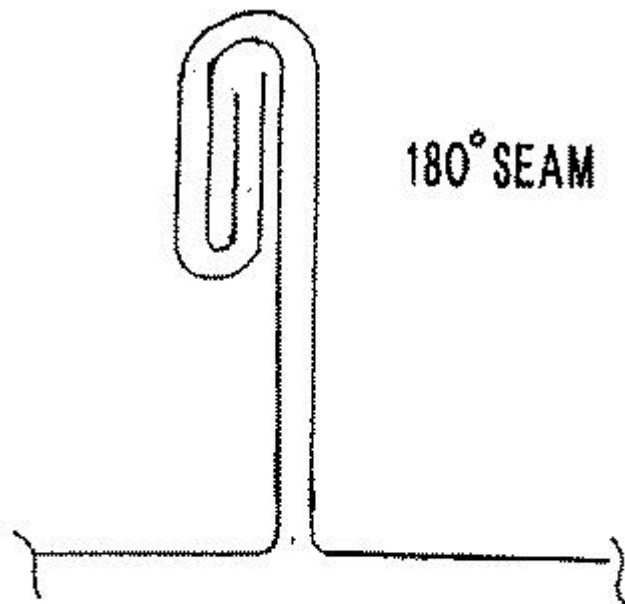
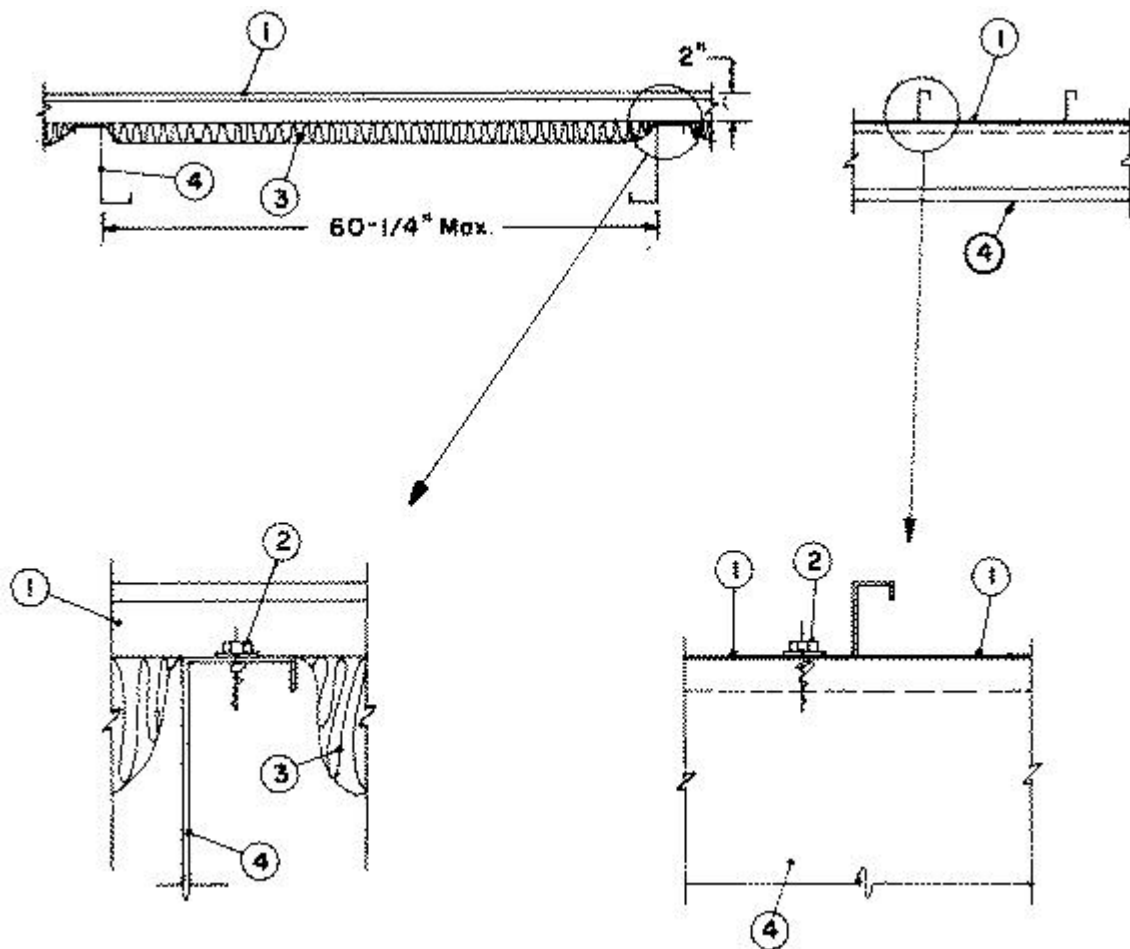
See General Information for Roof Deck Constructions

Construction No. 176

February 14, 2019

Uplift — Class 90

Fire Not Investigated



FOR AEP-SPAN PANEL
("SPAN-SEAM")

1. **Metal Roof Deck Panels*** — No. 24 MSG min gauge coated steel, 16 in. max width. Panels continuous over two or more spans. End lap to occur over purlins with panels overlapped 6 in. with lap beginning 1 in. from purlin rib and extending across purlin flange. Side joints to be crimped with a special motorized crimper to a minimum 45 degree angle. A bead of sealing compound may be used at panel end and side laps. For Morin Corp., seams may be 45°, 90°, or 180°.

A & S BUILDING SYSTEMS L P (View Classification) — "BattenLok", "BattenLok HS" or "SuperLok"

A-LERT ROOF SYSTEMS (View Classification) — "A-Lert Loc"

ADVANCED ROOFING TECHNOLOGY INC (View Classification) — "ARTK 12" and "ARTK 16"

AEGIS ROOFING COMPANY (View Classification) — "Aegis 50 Architectural Profile"

AEP SPAN, DIV OF ASC PROFILES (View Classification) — "Span-Lok" or "Span-Lok HP" (90° Seam) or "SpanSeam" (180° Seam)

ARCHITECTURAL METAL SOLUTIONS (View Classification) — "Armor-Lock"

ARCHITECTURAL SHEETMETAL PRODUCTS INC (View Classification) — "ASP ML-200"

BAKER ROOFING INC (View Classification) — "2 in. Mechanical Seamed"

BUTLER MANUFACTURING, DIV OF BLUESCOPE BUILDINGS NORTH AMERICA INC (View Classification) — "VSR11"

CENTRAL TEXAS METAL ROLLFORMING INC (View Classification) — "Spanloc 200"

CENTURION INDUSTRIES INC, DBA TFC CANOPY (View Classification) — "Centurion 1624M"

COATED METALS GROUP (View Classification) — "Ultra-Seam 2MS"

CONSTRUCTION METAL PRODUCTS INC (View Classification) — "CMP Series 2500"

CUSTOM-BILT METALS (View Classification) — "CB-2000"

DREXEL METALS INC (View Classification) — "DMC 200S"

DREXEL METALS, INC. (View Classification) — "Met-Fab III"

EAST TEXAS ARCHITECTURAL SHEETMETAL L L C, DBA ETAS INC (View Classification) — "2" SPANLOCK"

ENGLERT INC (View Classification) — "Series 2500"

FABRAL INC (View Classification) — "PowerSeam"

H&H METAL PRODUCTS INC (View Classification) — "Uni-SeamLoc" (180° Seam)

HPM BUILDING SUPPLY (View Classification) — "Custom-Lock 2"

KIRBY BUILDING SYSTEMS INC (View Classification) — "RoofLok" and "RoofLok Plus"

KNUDSON MFG INC (View Classification) — "ULTRALOK"

LAWMAN HEATING & COOLING INC (View Classification) — "SS210A"

MBCI (View Classification) — "BattenLok", "BattenLok HS" or "SuperLok"

MCELROY METAL MILL INC (View Classification) — "ABC JSM 200"

MESCO METAL BUILDINGS (View Classification) — "BattenLok", "BattenLok HS" or "SuperLok"

METAL PANELS INC (View Classification) — "SSLF2A"

METAL PANEL SYSTEMS INC (View Classification) — "MP-200" or "UC6"

METAL ROOFING SYSTEMS INC (View Classification) — "MRS System 2500"

METAL SALES MANUFACTURING CORPORATION (View Classification) — "T-Span" or "T-Span 180" (180° Seam)

METALLION INDUSTRIES INC (View Classification) — "MI200" or "MI210"

MORIN CORP (View Classification) — "SLR-12", "SLR-14", "SLR-16"

NCI BUILDING SYSTEMS L P (View Classification) — "BattenLok", "BattenLok HS" or "SuperLok"

NEW TECH MACHINERY CORP (View Classification) — "SS210A"

PETERSEN ALUMINUM CORP (View Classification) — "Tite-Loc" and "Tite-Loc Plus"

PINNACLE STRUCTURES INC (View Classification) — "PINNACLE BATTENLOK" and "PINNACLE SUPERLOK"

PMRS (View Classification) — "200MS"

PREMIUM PANELS INC (View Classification) — "Premium Lock 210A" or "P.L. 210A"

ROLLFAB METAL BUILDING PRODUCTS (View Classification) — "MS-200HP/90" and "MS-200HP/180"

ROOF WORKS FABRICATING L L C (View Classification) — "SS210"

ROOFMASTERS ROOFING & SHEET METAL CO INC (View Classification) — "Loc Master"

SAN ANTONIO QUALITY METALS (View Classification) — "ML-200"

SHEFFIELD METALS INTERNATIONAL (View Classification) — "SMI 2" A Mechanical Seam"

STORAGE STRUCTURES INC. (View Classification) — "SS210A"

STREAMLINE ROOFING & CONSTRUCTION INC (View Classification) — "200MS"

SUPERIOR METAL SYSTEMS INC (View Classification) — "SMS 416"

TAYLOR METAL INC, DBA TAYLOR METAL PRODUCTS (View Classification) — "Mechanical Seam 200"

THE BRYER CO (View Classification) — "TBC-SUPERSEAM"

THREE DIAMOND FAB LLC (View Classification) — "TDF-SSC200"

TREMCO INC (View Classification) — "TremLock VP Series II"

UNION CORRUGATING CO (View Classification) — "ML200"

UNITED STRUCTURES OF AMERICA INC (View Classification) — "Sure-Lok" or "Supreme-Lok"

U S METALS L L C (View Classification) — "US-210A"

VARCO PRUDEN BUILDINGS, DIV OF BLUESCOPE BUILDINGS NORTH AMERICA INC (View Classification) — "SLR II"

ZIMMERMAN METALS INC (View Classification) — "SS2000"

2. **Fasteners** — For panel to purlin connections to be No. 12-14 by 1 in. self-drilling, self-tapping, hex-head plated steel screws with a separate 1/2 in. OD plated steel washer and a neoprene sealing washer. Spacing to be 16 in. OC with one fastener located 2 in. from the female side of each panel. Spacing at end lap to be in a 1-1/2, 3, 3-1/2, 3-1/2, 3-1/2, 1 in. pattern beginning from the female side rib.

2A. **Roof Deck Fasteners*** — (Panel Clips) — (Not Shown) — Used with "Tite-Loc" or "Tite-Loc Plus" Panels.

PETERSEN ALUMINUM CORP (View Classification) — "Tite-Loc AR Fixed Clip" and "Tite-Loc AR Sliding Clip", "Tite-Loc Plus AR Fixed Clip" and "Tite-Loc Plus AR Sliding Clip".

3. **Insulation** — (Optional) — Any compressible blanket insulation, 4 in. max thickness before compression.

3A. **(Optional)** — An additional 2 in. max thickness of compressible blanket insulation may be used between purlins. The additional insulation shall not be sandwiched between the upper flange of the purlin and the roof deck panel.

4. **Purlins** — 0.056 in. min thickness steel (40,000 psi min yield strength).

Refer to General Information, Roof Deck Constructions (Roofing Materials and Systems Directory) for items not evaluated.

*** Indicates such products shall bear the UL or cUL Certification Mark for jurisdictions employing the UL or cUL Certification (such as Canada), respectively.**

Last Updated on 2019-02-14

The appearance of a company's name or product in this database does not in itself assure that products so identified have been manufactured under UL's Follow-Up Service. Only those products bearing the UL Mark should be considered to be Certified and covered under UL's Follow-Up Service. Always look for the Mark on the product.

UL permits the reproduction of the material contained in the Online Certification Directory subject to the following conditions: 1. The Guide Information, Assemblies, Constructions, Designs, Systems, and/or Certifications (files) must be presented in their entirety and in a non-misleading manner, without any manipulation of the data (or drawings). 2. The statement "Reprinted from the Online Certifications Directory with permission from UL" must appear adjacent to the extracted material. In addition, the reprinted material must include a copyright notice in the following format: "© 2019 UL LLC"