

TGKX.184 - ROOF DECK CONSTRUCTIONS

Design/System/Construction/Assembly Usage Disclaimer

- Authorities Having Jurisdiction should be consulted in all cases as to the particular requirements covering the installation and use of UL Certified products, equipment, system, devices, and materials.
- Authorities Having Jurisdiction should be consulted before construction.
- Fire resistance assemblies and products are developed by the design submitter and have been investigated by UL for compliance with applicable requirements. The published information cannot always address every construction nuance encountered in the field.
- When field issues arise, it is recommended the first contact for assistance be the technical service staff provided by the product manufacturer noted for the design. Users of fire resistance assemblies are advised to consult the general Guide Information for each product category and each group of assemblies. The Guide Information includes specifics concerning alternate materials and alternate methods of construction.
- Only products which bear UL's Mark are considered Certified.

Roof Deck Constructions

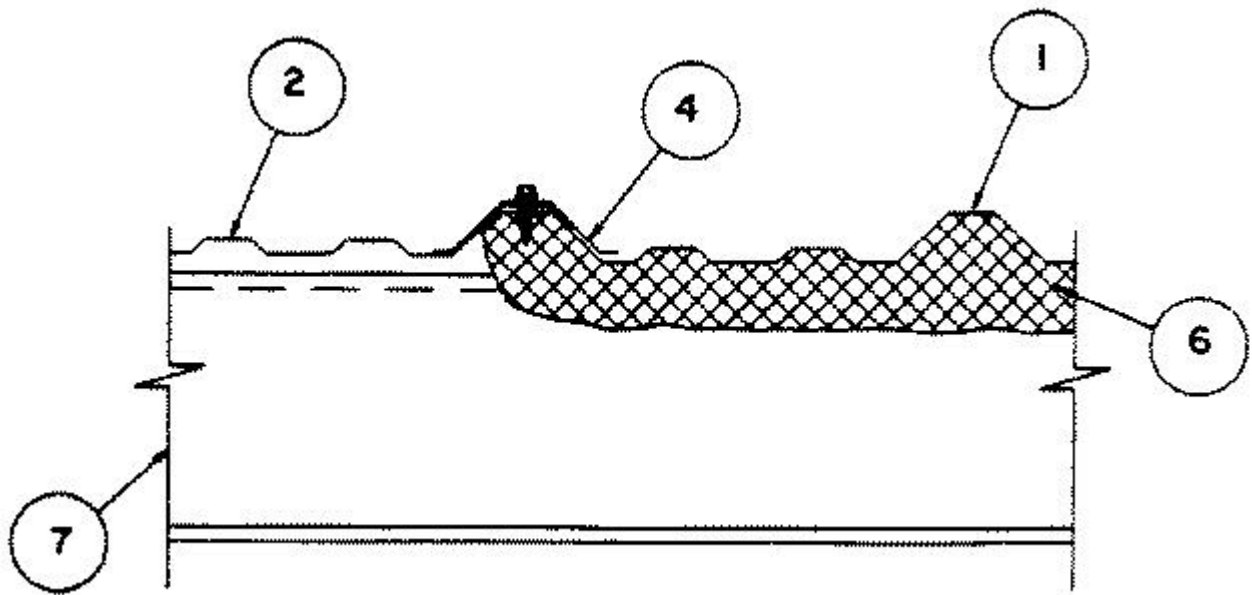
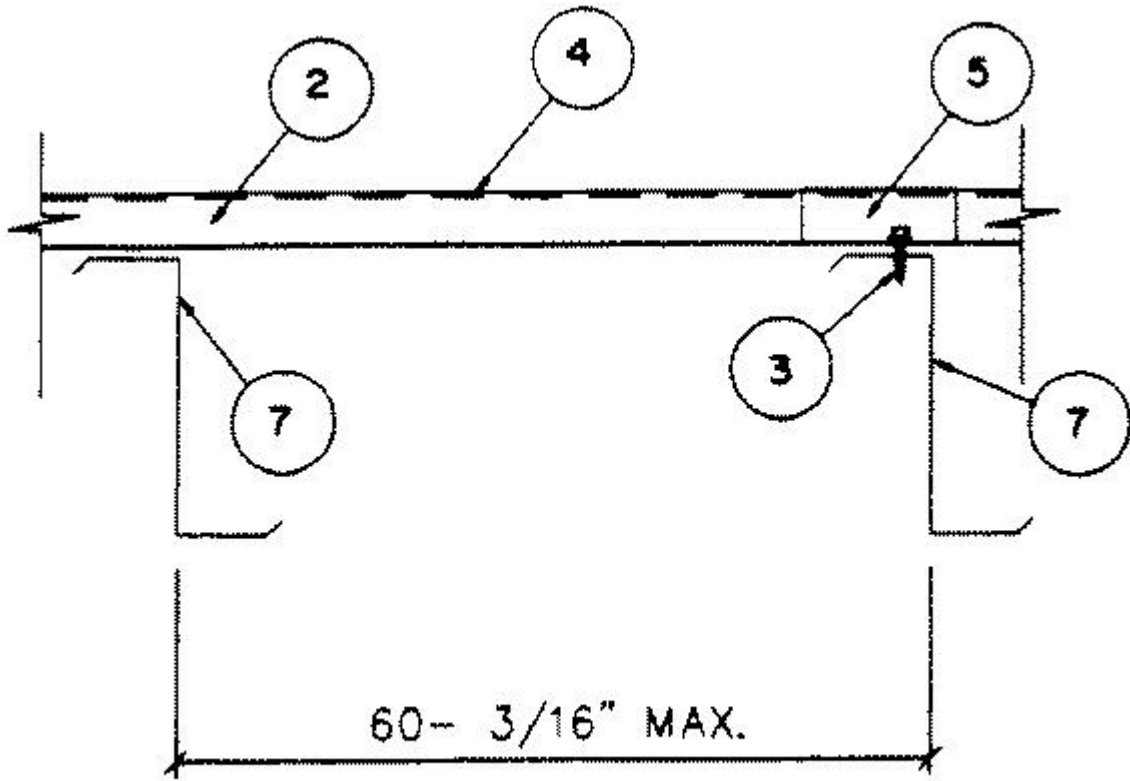
See General Information for Roof Deck Constructions

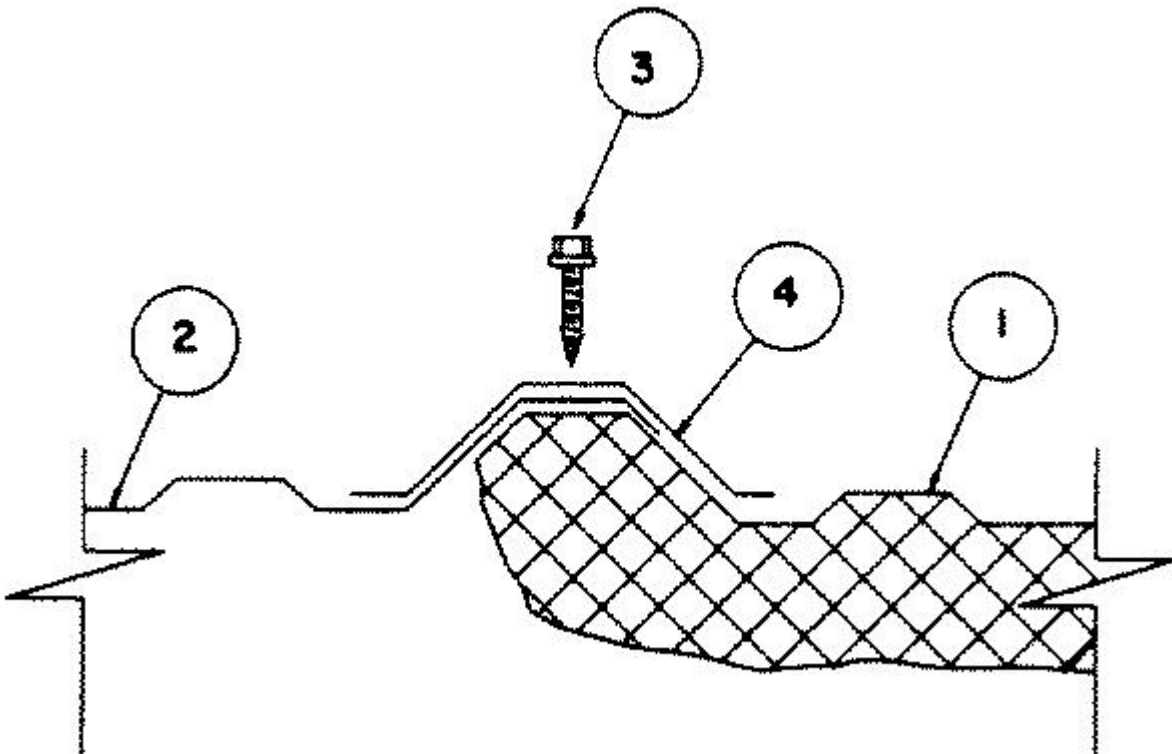
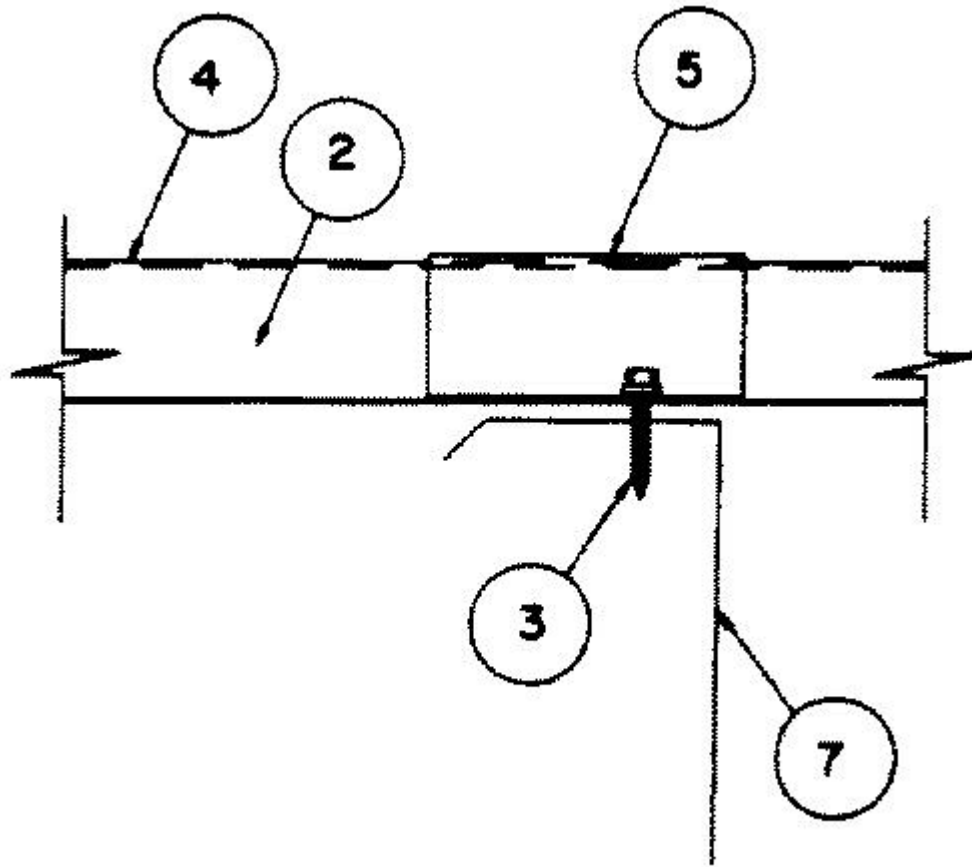
Construction No. 184

November 08, 2018

Uplift — Class 90

Fire Not investigated





1. **Metal Roof Deck Panels*** — No. 26 MSG min coated steel. Panels continuous over two or more spans. End laps to occur over purlins with panels overlapped 3 in. min., 6 in. max. Lap to begin even with purlin web and extend across purlin upper flange. Sealant may be used at panel end and side laps.

A & S BUILDING SYSTEMS L P (View Classification) — "R" or "PBR" Panel

ALL STEEL BUILDINGS & COMPONENTS TUBULAR DIVISION INC (View Classification) — "R or PBR panel"

ALLSOUTH PRE-ENGINEERED COMPONENTS L L C (View Classification) — "R" or "PBR" Panel

AMERICAN BUILDING COMPONENTS (View Classification) — "R or PBR Panel"

B C STEEL BUILDINGS INC (View Classification) — "R/PBR"

BORGA STEEL INC (View Classification) — "BSP"

BRIDGER STEEL (View Classification) — "PBR Panel"

BBM STEEL BUILDINGS INC (View Classification) — "R"

CENTRAL TEXAS METAL ROLLFORMING INC (View Classification) — "R-Panel" or "PBR-Panel"

CREGO METAL SYSTEMS (View Classification) — "CMR"

EAST TEXAS ARCHITECTURAL SHEETMETAL L L C, DBA ETAS INC (View Classification) — "R Panel"

FLATIRON STEEL (View Classification) — "PBR"

H&H METAL PRODUCTS INC (View Classification) — "PBR Panel"

JAG METALS LLC (View Classification) — "PBR Panel"

JNL STEEL COMPONENTS INC (View Classification) — "R-PANEL" or "PBR-PANEL"

MARLYN METALS INC (View Classification) — "R" or "PBR"

MBCI (View Classification) — "R" or "PBR Panel"

MESCO METAL BUILDINGS (View Classification) — "R" or "PBR Panel"

NCI BUILDING SYSTEMS L P (View Classification) — "R" or "PBR Panel".

NORTHLAND STEEL AND TRIM (View Classification) — "R-Panel"

OAKLAND METAL BUILDINGS INC (View Classification) — "PBR"

PINNACLE STRUCTURES INC (View Classification) — "PBR"

RIGID GLOBAL BUILDINGS L L C (View Classification) — "R" or "PBR"

SAN ANTONIO QUALITY METALS (View Classification) — "PBR"

SCHULTE BUILDING SYSTEMS INC (View Classification) — "R" or "PBR" Panel

SOUTHWEST METAL COMPONENTS AND SUPPLY LP (View Classification) — "R-Panel" or "PBR"

TERRY BUILDING CO INC (View Classification) — "R" Panel

TEXAS BUILDING AND ROOFING SUPPLIES INC — "R" or "PBR" Panel

TSB INDUSTRIAL INC (View Classification) — "R" Panel.

WEST TEXAS STEEL & SUPPLY (View Classification) — "R" or "PBR"

2. **Building Units*** — (Translucent reinforced plastic panels) — Formed to the same profile as the metal roof deck panels (Item 2). Nom thickness 0.060 in. Panels continuous over two or more spans. End laps min of 6 in. long to occur over purlins. Metal panel to be over plastic panel at upslope location and under at downslope location.

B C STEEL BUILDINGS INC (View Classification) — "B Panel Skylight"

NCI BUILDING SYSTEMS L P (View Classification) — "R Light Transmitting Panel"

3. **Fasteners** — Fasteners used for metal and plastic panel to purlin connections to be No. 12-14 by 1-1/4 in. long self-drilling, self-tapping, hex-head plated steel screws with a separate 1/2 in. OD formed steel washer and a neoprene sealing washer. Spacing for metal panel to purlin connections to be 12 in. OC beginning 2-1/4 in. from the center line on one side of each major rib. Spacing for plastic panel to purlin connections to be in a 2-1/4, 3, 1-1/2, 3, 2-1/4 in. pattern beginning 2-1/4 in. from the center line on both sides of each major rib with the two outer most fasteners driven into the rib reinforcement. An additional fastener is to be driven into the rib reinforcement on the outside of the rib and located 2-1/4 in. from the rib center line. Spacing at the end laps for metal panels to be in a 4-1/2, 7-1/2, 4-1/2 in. pattern beginning 2-1/4 in. from the center line on both sides of each major rib.

Fasteners for metal and plastic panel to panel connections to be same as panel to purlin screws but 1 in. long. Spacing for metal panel to metal panel connections to be 20 in. OC. Spacing for plastic panel to metal panel connections to be 12 in. OC.

4. **Light Transmitting Panel Side Reinforcement** — The reinforcement for use at side laps of building units (Item 2) to be hat-shaped, 6 in. wide at the base, and formed to the profile of the panel major ribs. Fabricated from No. 26 MSG steel having a yield strength of 80,000 psi.

5. **Light Transmitting Purlin Reinforcement** — Used over building unit (Item 2) at purlin locations. 3 in. wide No. 26 MSG steel, formed to the profile of the panel. Yield strength of steel to be 80,000 psi.

6. **Insulation** — Compressible blanket type insulation. 4 in. nom thickness before compression.

7. **Purlins** — No. 16 MSG min gauge steel (50,000 psi min yield strength).

8. **Lateral Bracing** — (Not Shown) — As required.

Refer to General Information, Roof Deck Construction (Roofing Materials and Systems Directory) for items not evaluated.

*** Indicates such products shall bear the UL or cUL Certification Mark for jurisdictions employing the UL or cUL Certification (such as Canada), respectively.**

Last Updated on 2018-11-08

The appearance of a company's name or product in this database does not in itself assure that products so identified have been manufactured under UL's Follow-Up Service. Only those products bearing the UL Mark should be considered to be Certified and covered under UL's Follow-Up Service. Always look for the Mark on the product.

UL permits the reproduction of the material contained in the Online Certification Directory subject to the following conditions: 1. The Guide Information, Assemblies, Constructions, Designs, Systems, and/or Certifications (files) must be presented in their entirety and in a non-misleading manner, without any manipulation of the data (or drawings). 2. The statement "Reprinted from the Online Certifications

Directory with permission from UL" must appear adjacent to the extracted material. In addition, the reprinted material must include a copyright notice in the following format: "© 2019 UL LLC"