

TGKX.54 - ROOF DECK CONSTRUCTIONS

Design/System/Construction/Assembly Usage Disclaimer

- Authorities Having Jurisdiction should be consulted in all cases as to the particular requirements covering the installation and use of UL Certified products, equipment, system, devices, and materials.
- Authorities Having Jurisdiction should be consulted before construction.
- Fire resistance assemblies and products are developed by the design submitter and have been investigated by UL for compliance with applicable requirements. The published information cannot always address every construction nuance encountered in the field.
- When field issues arise, it is recommended the first contact for assistance be the technical service staff provided by the product manufacturer noted for the design. Users of fire resistance assemblies are advised to consult the general Guide Information for each product category and each group of assemblies. The Guide Information includes specifics concerning alternate materials and alternate methods of construction.
- Only products which bear UL's Mark are considered Certified.

Roof Deck Constructions

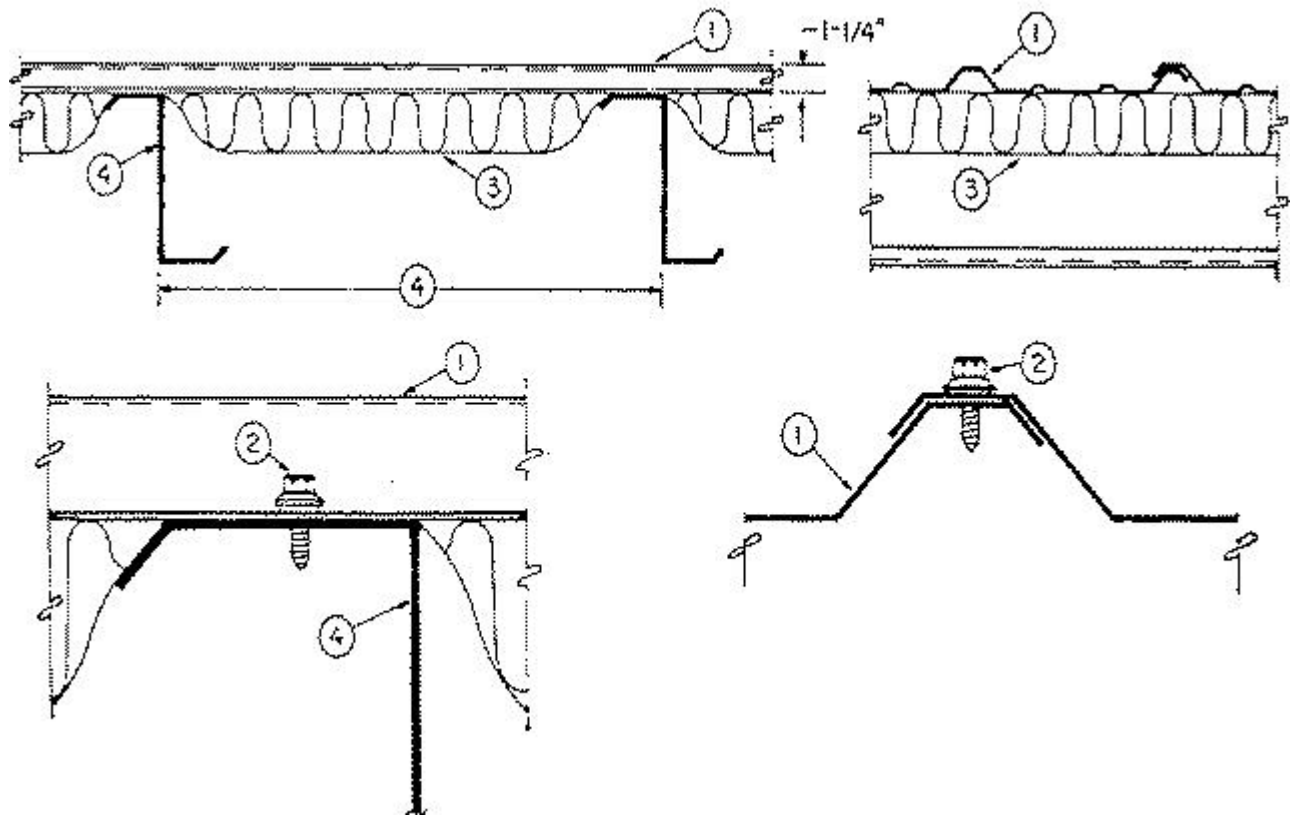
See General Information for Roof Deck Constructions

Construction No. 54

November 08, 2018

Uplift — Class 90 or 60 (See Items 2 and 4)

Fire — Not Investigated



1. Metal Roof Deck Panels* — No. 26 MSG min gauge coated steel panels continuous over two or more spans. End laps to occur over purlins with panels overlapped 3 in. min., 6 in. max with lap beginning 3 in. from purlin web and extending across purlin upper flange. A bead of sealant may be used at panel end and side laps.

A & S BUILDING SYSTEMS L P (View Classification) — "R" or "PBR"

ALLSOUTH PRE-ENGINEERED COMPONENTS L L C (View Classification) — "R" or "PBR" Panel

ALL STEEL BUILDINGS & COMPONENTS TUBULAR DIVISION INC (View Classification) — "R or PBR panel"

AMERICAN BUILDING COMPONENTS (View Classification) — "R or PBR Panel"

B C STEEL BUILDINGS INC (View Classification) — "R/PBR"

BORGA STEEL INC (View Classification) — "BSP"

BRIDGER STEEL (View Classification) — "PBR Panel"

BBM STEEL BUILDINGS INC (View Classification) — "R-Panel"

CENTRAL TEXAS METAL ROLLFORMING INC (View Classification) — "R-Panel" or "PBR-Panel"

CREGO METAL SYSTEMS (View Classification) — "CMR"

EAST TEXAS ARCHITECTURAL SHEETMETAL L L C, DBA ETAS INC (View Classification) — "R Panel"

FLATIRON STEEL (View Classification) — "PBR"

H&H METAL PRODUCTS INC (View Classification) — "PBR Panel"

JAG METALS LLC (View Classification) — "PBR Panel"

JNL STEEL COMPONENTS INC (View Classification) — "R-PANEL" or "PBR-PANEL"

MARLYN METALS INC (View Classification) — "R" or "PBR"

MBCI (View Classification) — "R" or "PBR"

MESCO METAL BUILDINGS (View Classification) — "R" or "PBR"

NCI BUILDING SYSTEMS L P (View Classification) — "R" or "PBR"

NORTHLAND STEEL AND TRIM (View Classification) — "R-Panel"

OAKLAND METAL BUILDINGS INC (View Classification) — "PBR"

PINNACLE STRUCTURES INC (View Classification) — "PBR"

PRIME BUILDING COMPONENTS L L C (View Classification) — "R Panel"

RIGID GLOBAL BUILDINGS L L C (View Classification) — "R" or "PBR"

SCHULTE BUILDING SYSTEMS INC (View Classification) — "R" or "PBR" Panel

SOUTHWEST METAL COMPONENTS AND SUPPLY LP (View Classification) — "R-Panel" or "PBR"

TERRY BUILDING CO INC (View Classification) — "R" Panel

TEXAS BUILDING AND ROOFING SUPPLIES INC — "R" or "PBR" Panel

TSB INDUSTRIAL INC (View Classification) — "R" Panel.

WEST TEXAS STEEL & SUPPLY (View Classification) — "R" or "PBR"

2. **Panel Fasteners** — For panel to purlin connections to be No. 12-14 self-drilling, self-tapping, hex-head, plated steel screws with a separate 1/2 in. OD formed steel washer and a separate neoprene sealing washer. The heads may have a nylon cover. Length to be 1 in. for up to 3 in. max thick insulation and 1 1/4 in. for insulation greater than 3 in.

Spacing: For Class 90 to be 6 in. OC located 3 in. from center line on both sides of each major rib. Spacing at end laps to be the same.

For Class 60 to be 12 in. OC beginning 2 1/2 in. from the center line on one side of each major rib. Spacing at end laps to be 6 in. OC beginning 3 in. from center line on both sides of each major rib.

For panel to panel connections — for Class 90 or 60 — to be same type 1 in. long. Spacing to be 18 in. OC with a fastener located over the purlins.

As an Alternate Fastener: For panel to purlin connections No. 14 by 3/4 in. Type A, self-tapping, plated steel screws with a separate 5/8 in. OD domed steel washer and a bonded neoprene sealing washer may be used. Length to be 3/4 in. for up to 3 in. max thickness insulation and 1 in. for insulation greater than 3 in. For Panel to panel connections to be same type 3/4 in. long.

Pilot holes: For panel to purlin to be a No. 8 bit.

For panel to panel to be 1/8 in. diam.

3. **Insulation** — (Optional) — Any compressible blanket insulation 4 in. max thickness before compression.

4. **Purlin** — No. 16 MSG min gauge coated steel.

Spacing — For Class 90 to be 60-3/16 in. OC.

For Class 60 to be 63 1/4 in. OC.

No. 13 MSG min gauge coated steel.

Spacing — For Class 90 to be 63 1/4 in. OC.

(Min yield strength to be 55000 psi.)

Refer to General Information, Roof Deck Construction, (Roofing Materials and Systems Directory) for Items not evaluated.

*** Indicates such products shall bear the UL or cUL Certification Mark for jurisdictions employing the UL or cUL Certification (such as Canada), respectively.**

Last Updated on 2018-11-08

The appearance of a company's name or product in this database does not in itself assure that products so identified have been manufactured under UL's Follow-Up Service. Only those products bearing the UL Mark should be considered to be Certified and covered under UL's Follow-Up Service. Always look for the Mark on the product.

UL permits the reproduction of the material contained in the Online Certification Directory subject to the following conditions: 1. The Guide Information, Assemblies, Constructions, Designs, Systems, and/or Certifications (files) must be presented in their entirety and in a non-misleading manner, without any manipulation of the data (or drawings). 2. The statement "Reprinted from the Online Certifications Directory with permission from UL" must appear adjacent to the extracted material. In addition, the reprinted material must include a copyright notice in the following format: "© 2019 UL LLC"