

TGKX.543 - ROOF DECK CONSTRUCTIONS

Design/System/Construction/Assembly Usage Disclaimer

- Authorities Having Jurisdiction should be consulted in all cases as to the particular requirements covering the installation and use of UL Certified products, equipment, system, devices, and materials.
- Authorities Having Jurisdiction should be consulted before construction.
- Fire resistance assemblies and products are developed by the design submitter and have been investigated by UL for compliance with applicable requirements. The published information cannot always address every construction nuance encountered in the field.
- When field issues arise, it is recommended the first contact for assistance be the technical service staff provided by the product manufacturer noted for the design. Users of fire resistance assemblies are advised to consult the general Guide Information for each product category and each group of assemblies. The Guide Information includes specifics concerning alternate materials and alternate methods of construction.
- Only products which bear UL's Mark are considered Certified.

Roof Deck Constructions

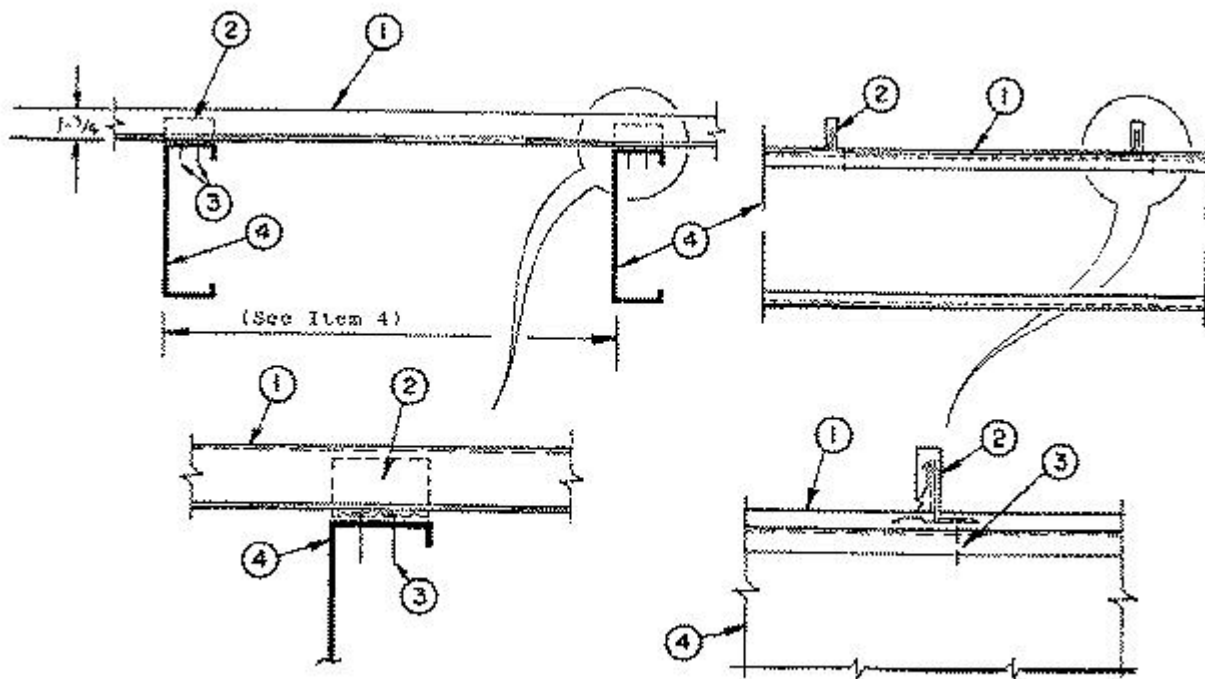
See General Information for Roof Deck Constructions

Construction No. 543

April 02, 2019

Uplift — Class 90

Fire Not Investigated



1. **Metal Roof Deck Panels*** — No. 24 MSG (minimum) thickness coated steel. Maximum panel width 18 inches by 1-3/4 inches high at the ribs. Panels continuous over two or more spans with no end laps. A bead of sealant may be used at the panel side joint.

A & S BUILDING SYSTEMS L P (View Classification) — "LokSeam"

ACI BUILDING SYSTEMS INC (View Classification) — "SnapLok"

ALLIANCE STEEL INC (View Classification) — "NFS16"

AMERICAN BUILDING COMPONENTS (View Classification) — "LokSeam"

BORGA STEEL INC (View Classification) — "Vertical Lock"

CENTRAL STATES MFG INC (View Classification) — "Central Snap"

CENTRAL TEXAS METAL ROLLFORMING INC (View Classification) — "Shurloc 175"

CENTRAL TEXAS METAL ROLLFORMING INC (View Classification) — "Shurloc 175"

FIRESTONE METAL PRODUCTS, A DIV OF FIRESTONE BUILDING PRODUCTS CO LLC (View Classification) — "UC-14"

MBCI (View Classification) — "LokSeam"

METAL FORMING INC (View Classification) — "1.75 Snap Lock Steel Panel"

METAL ROOFING SYSTEMS INC (View Classification) — "MRS System 2000"

NCI BUILDING SYSTEMS L P (View Classification) — "LokSeam"

NORTHWEST ROOF TILE & METAL L L C (View Classification) — "LT175"

P S M L V INC DOING BUSINESS AS PENN SHEET METAL (View Classification) — "PSM175SL"

ROLLFAB METAL BUILDING PRODUCTS (View Classification) — "SL-175" or "1.75 Snap Lock Steel Panel"

SHEET METAL WORKS OF ARIZONA (View Classification) — "SL175"

STANDARD STRUCTURES INC (View Classification) — "SnapSeam"

TAYLOR METAL INC, DBA TAYLOR METAL PRODUCTS (View Classification) — "Versa Span"

WESTAR ROOFING CORP (View Classification) — "SL175"

WHIRLWIND STEEL BUILDINGS INC (View Classification) — "Weather Snap-12" or "Weather Snap-16"

2. **Roof Deck Fasteners* — (Panel Clips)** — One piece assembly, 3-1/2 inches wide, 1-7/8 inches high. Minimum thickness No. 18 MSG. One clip located at each purlin intersection.

AMERICAN BUILDING COMPONENTS (View Classification) — "LokSeam UL 90 Clip"

EXCEL STAMPING & MFG INC (View Classification) — "LS-178-18 Clip"

LOGAN STAMPINGS INC — "Snap Lock Clip No. 675"

NCI BUILDING SYSTEMS L P (View Classification) — "LokSeam UL 90 Clip"

3. **Fasteners (Screws)** — Fasteners used to attach panel clips (Item No. 2) to purlins to be No 10-16 by 1 inch long plated steel pancake head No. 2 Phillips drive with a No. 3 self-drilling point or 1/4-14 x 1 inch DP3 coated steel screws, Square/Phillips drive head, self drilling. Two screws per clip.

4. **Purlins** — No. 16 MSG minimum thickness steel with a minimum yield strength of 50,000 psi. Purlin spacing as follows:

a) 48 inch purlin spacing for class 90 rating for No. 24 MSG panels in all widths.

b) 60 inch purlin spacing for class 90 rating for No. 22 MSG 12 inch wide panels only.

c) 60 inch purlin spacing for class 60 rating for No. 22 MSG panels in all widths.

5. **Insulation** — (Optional) — Any compressible blanket insulation, 3 inches max. thickness when located between panels (Item No. 1) and purlin (Item No. 4).

*** Indicates such products shall bear the UL or cUL Certification Mark for jurisdictions employing the UL or cUL Certification (such as Canada), respectively.**

Last Updated on 2019-04-02

The appearance of a company's name or product in this database does not in itself assure that products so identified have been manufactured under UL's Follow-Up Service. Only those products bearing the UL Mark should be considered to be Certified and covered under UL's Follow-Up Service. Always look for the Mark on the product.

UL permits the reproduction of the material contained in the Online Certification Directory subject to the following conditions: 1. The Guide Information, Assemblies, Constructions, Designs, Systems, and/or Certifications (files) must be presented in their entirety and in a non-misleading manner, without any manipulation of the data (or drawings). 2. The statement "Reprinted from the Online Certifications Directory with permission from UL" must appear adjacent to the extracted material. In addition, the reprinted material must include a copyright notice in the following format: "© 2019 UL LLC"